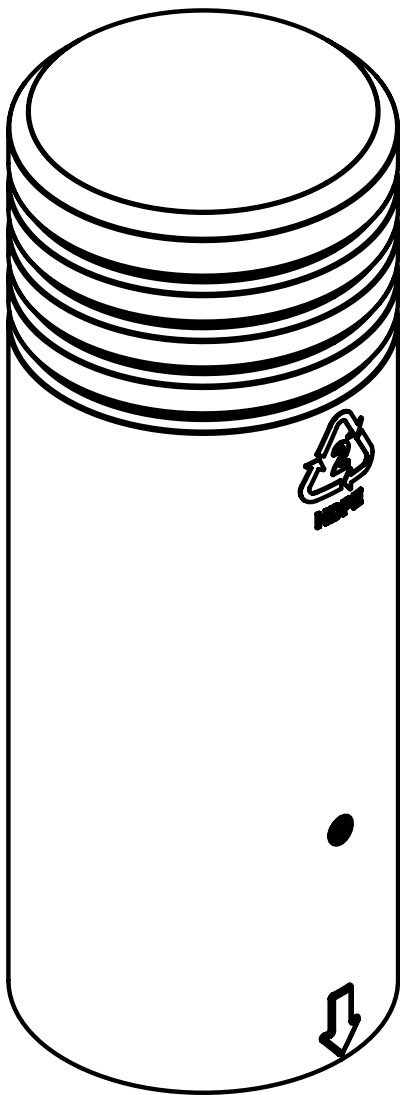


Axelent Assembly instructions

» Deflector Post M011-050-018 (182x500mm)



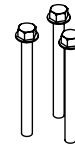
Components



Shell
DP-C-SHL-307



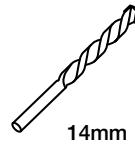
Core, Damper,
Washer
DP-K-COR-401



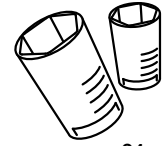
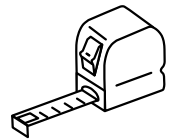
16mm x 200mm
Concrete Screws

*Some components included within "M" bundles.

Tools required



14mm



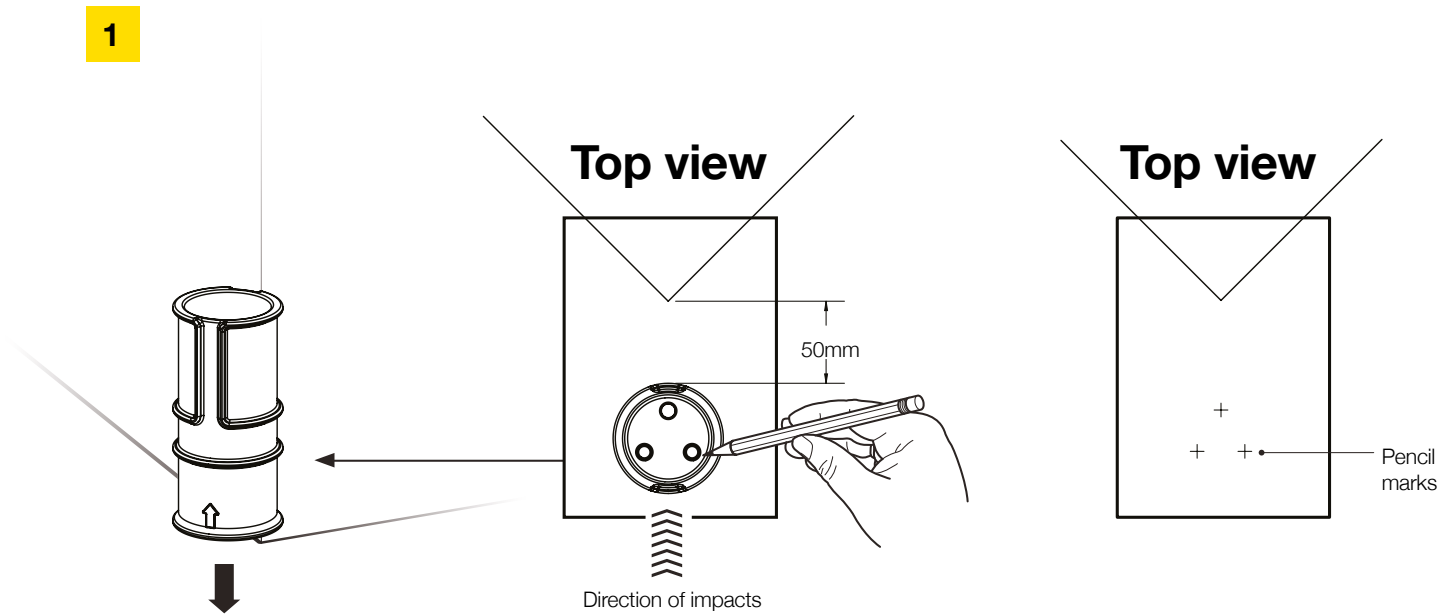
24mm



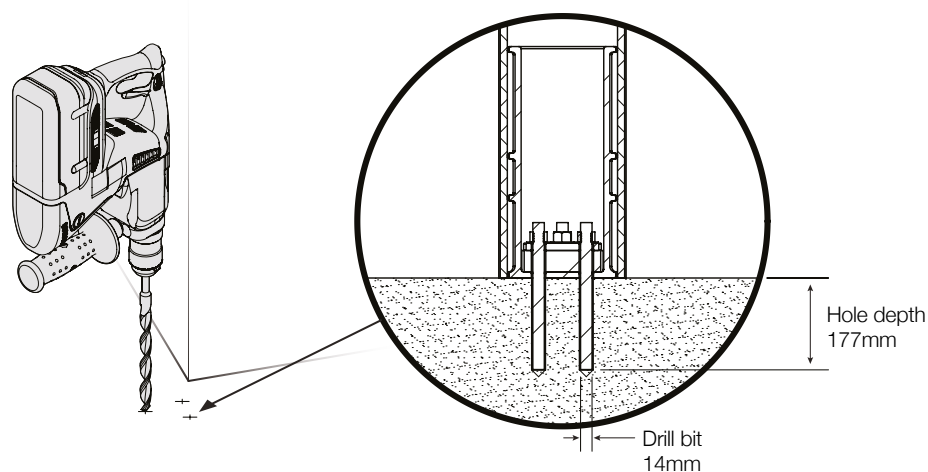
Axelent Assembly instructions

» Deflector Post

1



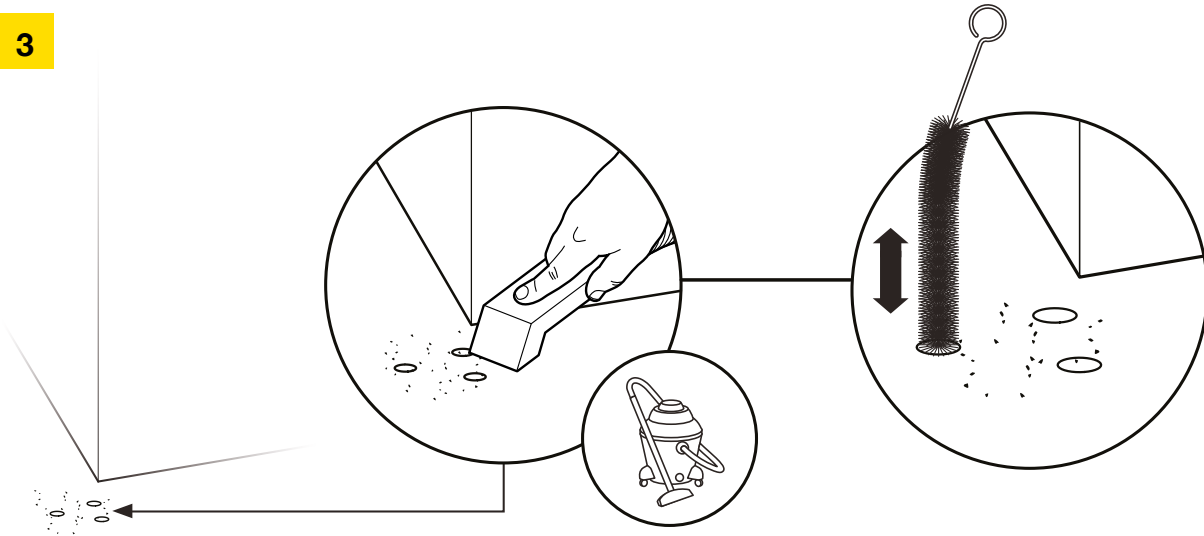
2



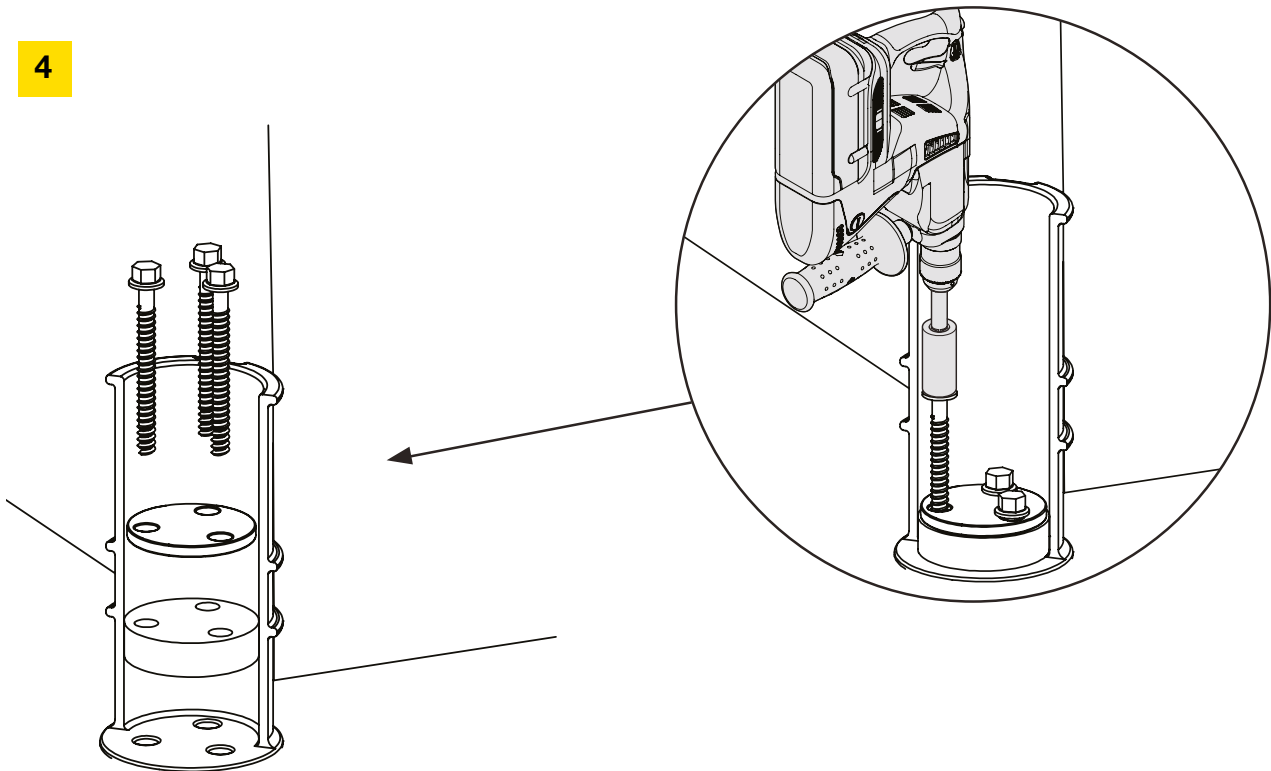
Axelent Assembly instructions

» Deflector Post

3



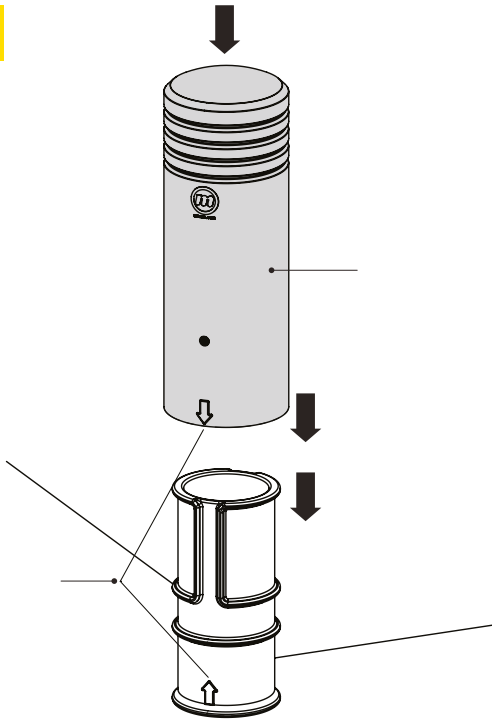
4



Axelent Assembly instructions

» Deflector Post

5



6

