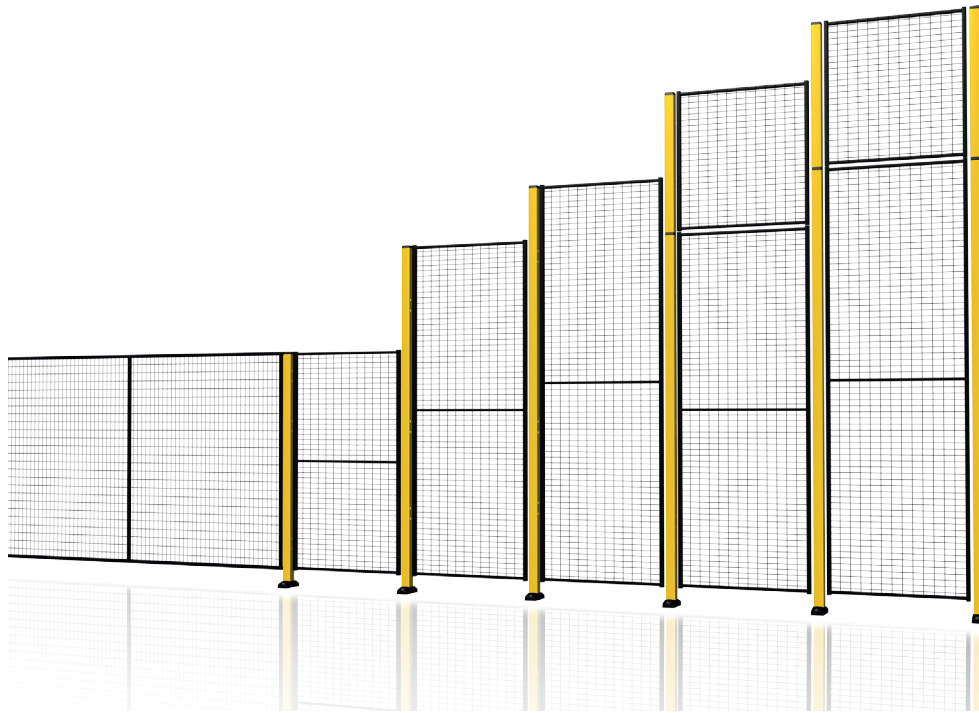


# Axelent Product Information

---

## » X-Guard® Posts



## X-Guard® Posts

Our posts are available in two different sizes, 50x50 and 70x70 mm. The colours for the 50x50 post are RAL 1018, RAL 3020, RAL 5005 and RAL 9011 and for the 70x70 post RAL 1018. The posts can also be tailored to specific customer requirements. Almost all of Axelent's posts have 100 mm gap to floor. The extension is available in all four different colours.

The 50x50 mm post is available in four different heights; 1400, 1500, 2000 and 2300 mm.  
The extension for this post is; 750 mm.

The 70x70 mm post is available in three different heights; 1400, 2000 and 2300 mm, with extension 750, 1300, 1900 and 2200 mm.

Edging is an accessory for plastic and sheet metal panels. This is used to cover the distance between the post and the frame of the panel. The edging is available in three heights; 750, 1900 and 2200 mm.

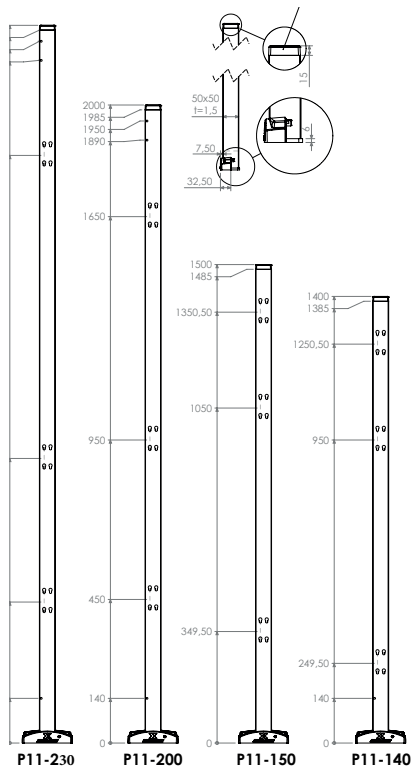
### Posts

- 50x50 and 70x70 mm
  - Edging for plastic and sheet panels
-

# Axellent Product Information

## » X-Guard® Posts

### Technical data



#### 50x50 mm, Yellow (RAL 1018)

Art. no.	Gap to floor (mm)	Height (mm)
P11-140	100	1400
P11-150	200	1500
P11-200	100	2000
P11-230	100	2300

#### 50x50 mm, Blue (RAL 5005)

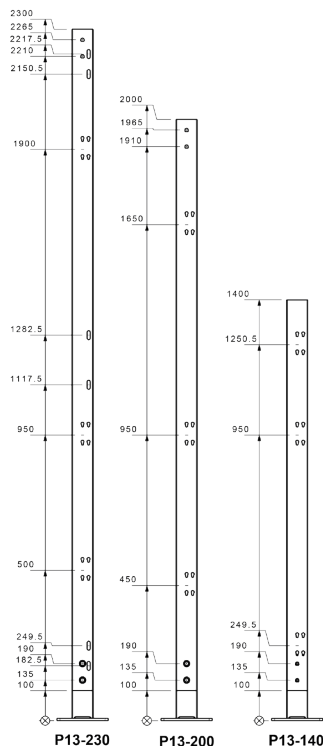
Art. no.	Gap to floor (mm)	Height (mm)
P21-140	100	1400
P21-200	100	2000
P21-230	100	2300

#### 50x50 mm, Black (RAL 9011)

Art. no.	Gap to floor (mm)	Height (mm)
P31-140	100	1400
P31-200	100	2000
P31-230	100	2300

#### 50x50 mm, Red (RAL 3020)

Art. no.	Gap to floor (mm)	Height (mm)
P71-140	100	1400
P71-200	100	2000
P71-230	100	2300



#### 70x70 mm inkl. foot (RAL 9011), Yellow (RAL 1018)

Art. no.	Gap to floor (mm)	Height (mm)
P13-140	100	1400
P13-200	100	2000
P13-230	100	2300

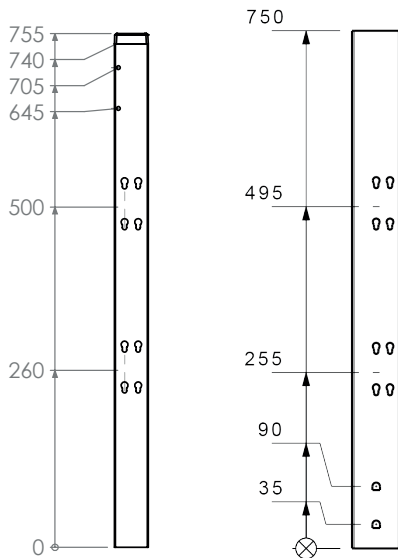
# Axellent Product Information

## » X-Guard® Posts

### Technical data

Art. no.

Height (mm)



#### Extension 50x50 mm, Yellow(RAL 1018)

E11-075	750
E11-075B	750

#### Extension 50x50 mm, Blue (RAL 5005)

E21-075	750
E21-075B	750

#### Extension 50x50 mm, Black (RAL 9011)

E31-075	750
E31-075B	750

#### Extension 50x50 mm, Red (RAL 3020)

E71-075	750
E71-075B	750

#### Extension 70x70 mm, Yellow (RAL 1018)

E13-075	750
E13-130	1300
E13-190	1900
E13-220	2200

