



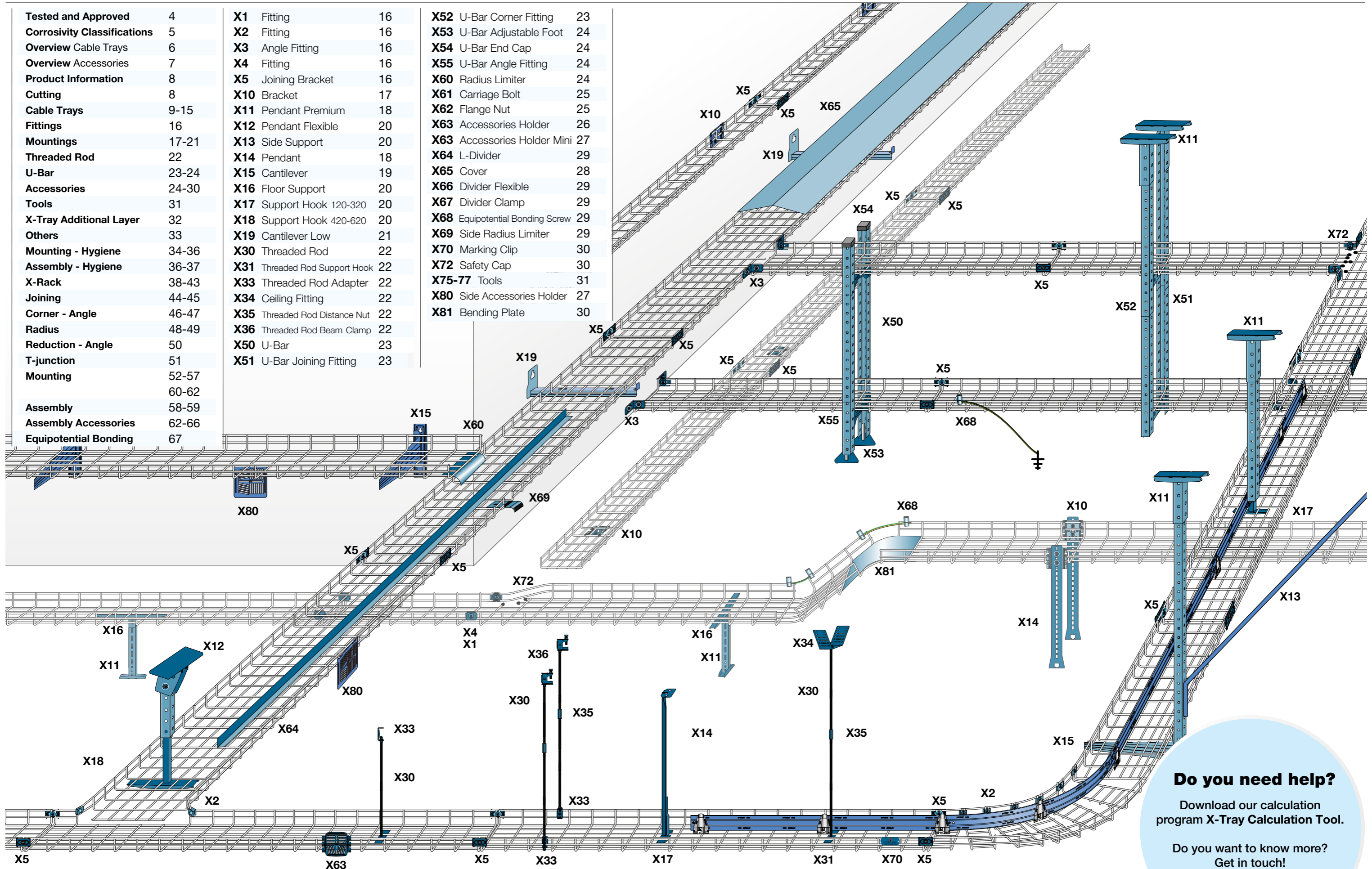
Axelent X-Tray[®] **Technical**

Technical Information and Assembly Instructions



Table of Contents

Tested and Approved	4	X1	Fitting	16	X52	U-Bar Corner Fitting	23
Corrosivity Classifications	5	X2	Fitting	16	X53	U-Bar Adjustable Foot	24
Overview Cable Trays	6	X3	Angle Fitting	16	X54	U-Bar End Cap	24
Overview Accessories	7	X4	Fitting	16	X55	U-Bar Angle Fitting	24
Product Information	8	X5	Joining Bracket	16	X60	Radius Limiter	24
Cutting	8	X10	Bracket	17	X61	Carriage Bolt	25
Cable Trays	9-15	X11	Pendant Premium	18	X62	Flange Nut	25
Fittings	16	X12	Pendant Flexible	20	X63	Accessories Holder	26
Mountings	17-21	X13	Side Support	20	X63	Accessories Holder Mini	27
Threaded Rod	22	X14	Pendant	18	X64	L-Divider	29
U-Bar	23-24	X15	Cantilever	19	X65	Cover	28
Accessories	24-30	X16	Floor Support	20	X66	Divider Flexible	29
Tools	31	X17	Support Hook 120-320	20	X67	Divider Clamp	29
X-Tray Additional Layer	32	X18	Support Hook 420-620	20	X68	Equipotential Bonding Screw	29
Others	33	X19	Cantilever Low	21	X69	Side Radius Limiter	29
Mounting - Hygiene	34-36	X30	Threaded Rod	22	X70	Marking Clip	30
Assembly - Hygiene	36-37	X31	Threaded Rod Support Hook	22	X72	Safety Cap	30
X-Rack	38-43	X33	Threaded Rod Adapter	22	X75-77	Tools	31
Joining	44-45	X34	Ceiling Fitting	22	X80	Side Accessories Holder	27
Corner - Angle	46-47	X35	Threaded Rod Distance Nut	22	X81	Bending Plate	30
Radius	48-49	X36	Threaded Rod Beam Clamp	22			
Reduction - Angle	50	X50	U-Bar	23			
T-junction	51	X51	U-Bar Joining Fitting	23			
Mounting	52-57						
	60-62						
Assembly	58-59						
Assembly Accessories	62-66						
Equipotential Bonding	67						



Do you need help?

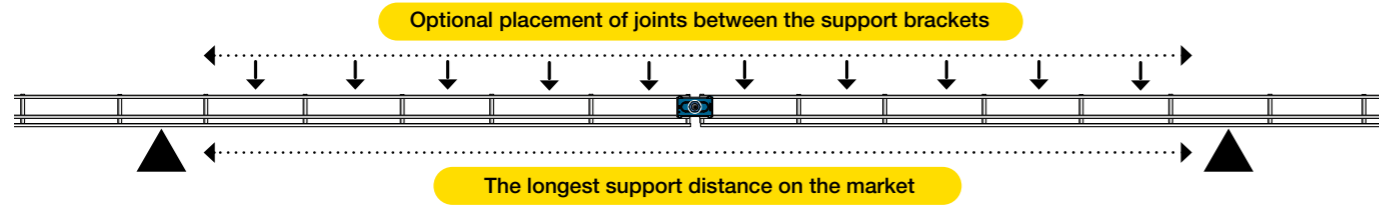
Download our calculation program X-Tray Calculation Tool.

Do you want to know more?
Get in touch!

teamxtray@axelent.se

Tested and Approved

X-Tray complies with the highest demands on cable routing systems as laid down in IEC 61537.



IEC Cable management IEC 61537 – Cable tray systems

"This international standard specifies requirements and tests for cable tray systems intended for the support and accommodation of cables and other electrical equipment in electrical and/or communication system installations." The strength of the wire trays and mountings makes their installation simple, strong and economical. Bracket spacing can be increased, therewith reducing the amount of installation work and overall costs.

Tests

In addition to the IEC, we have tested and certified our trays in the following areas:

- Material
- Welding
- Load
- Identification
- EMC
- Coating
- Vibrations
- Fire

Visit our website axelent.com to read more about every specific tests under: "X-Tray Tested and Approved".

Certified by:

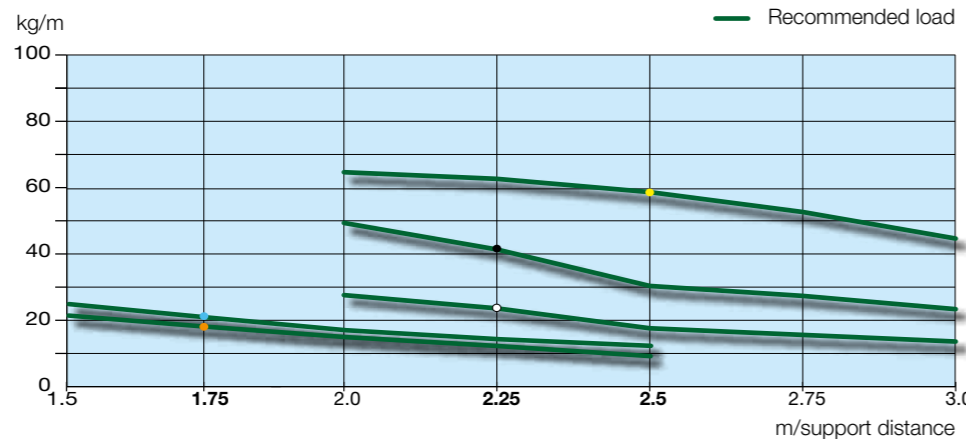


*Our UL certification also gives us NEMA APPROVAL.

Load Diagram

The diagram below displays the recommended loading values with an evenly spaced load and free location of supports relative to the joiners. Values are in accordance with deflection rates outlined in IEC61537 and allow for a safety factor 1.7 x the stated load.

- **X-Tray® Height 110 mm**
59 kg/m. Recommended support distance 2.5 m.
- **X-Tray® Height 60 mm with 5 mm wire**
41 kg/m. Recommended support distance 2.25 m.
- **X-Tray® Height 60 mm with 4 mm wire**
24 kg/m. Recommended support distance 2.25 m.
- **X-Tray® Height 30 mm with 5 mm wire**
21 kg/m. Recommended support distance 1.75 m.
- **X-Tray® Height 30 mm with 4 mm wire**
18 kg/m. Recommended support distance 1.75 m.



Axelent is a member of EHEDG

Axelent is one of 1,300 members of EHEDG (European Hygienic Engineering and Material Group). EHEDG (founded in 1989) is a European non-government organisation whose purpose is to promote hygienic Material and foodstuffs technology, so that safe products are brought out to the consumer.



X-Tray covers all corrosion classifications

Corrosivity classifications according to SS-EN ISO 12944-2

Corrosivity classification	C1	C2	C3	C4	C5	CX
Environmental corrosivity	Very low	Low	Moderate	High	Very high	Extreme
Outdoors	-	Low concentrations of air pollution, rural areas	Moderate amounts of air pollution. Urban areas and light industry areas	Considerable amounts of air pollution or moderate amounts of salt, industry and coastal regions.	Industrial areas with harsh climates and high humidity. Coastal and offshore areas with large amounts of salt	Extreme industrial, coastal and offshore areas in subtropical and tropical climates with salt and contamination, lap zones
Indoor	Heated areas with dry air and insignificant amounts of contaminants. E.g., offices, stores, schools, hotels	Non-heated areas with fluctuating temperatures and humidity. E.g., sports arenas, storage premises	Moderate humidity and certain amounts of air pollution. E.g., breweries, dairies, laundries, heated ice skating arenas	High humidity and large amounts of air contamination. E.g., chemical industries, indoor swimming pools, shipyards unheated skating arenas	Permanent moisture condensation and large amounts of air pollution	Extreme humidity condensation and extremely harsh climate
Recommended material/coating	Zinc Plated – Fzb	Sendzimir	Hot Dip galv. / Zinc-nickel Fzv	Stainless 304L	Stainless 316L	Stainless 316L

Selection of material

The selection of material/coating is affected by several factors. Humidity and salt in the air have a major impact, and in certain environments, there may even be substances that have properties that considerably shorten the lifespan of the coating, which must be taken into account. That is why it is important to establish the corrosivity and corrosion class according to SS-EN ISO 12944-2 in order to select the coating.

Recommended material/coating is a guide for choosing a material/coating that has a long lifespan as cost-effectively as possible.

Zinc plating
Zinc plating involves the application of a thin layer of zinc that provides a basic level of protection.
According to standard: SS-EN ISO 2081:2008, DIN 50961, DIN-EN 12329

Sendzimir
A method for hot dip galvanising of sheet metal. Often called galvanised steel.
According to standard: SS-EN 10327:2004

Hot dip galvanisation
Involves the application of a thick layer of zinc by dipping the steel into a heated zinc bath. If damages occur to the surface, the zinc has the capacity to repair itself.
According to standard: SS-EN ISO 1461:2009, DIN 50976

Zinc/Nickel
Zinc/nickel is a thin coating that contains 12-15% nickel and has the same qualities as or somewhat better qualities than hot galvanised.

Used on many of the accessories where it is important that narrow tolerances will be maintained, for example for screws and nuts.
According to standard: SS-EN ISO 11997-1, DIN 50979

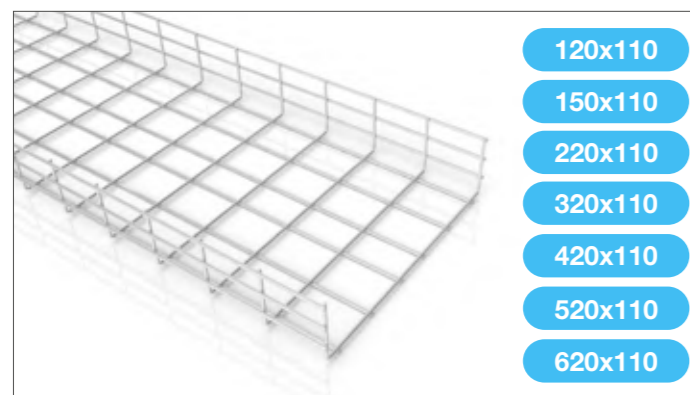
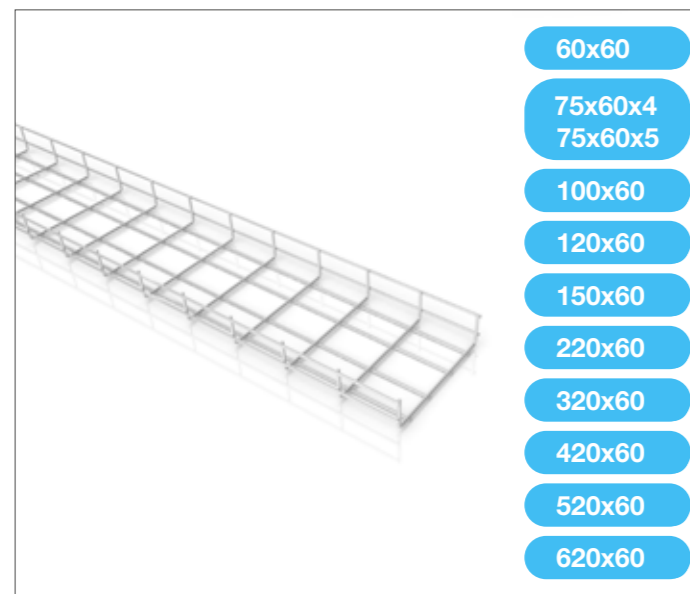
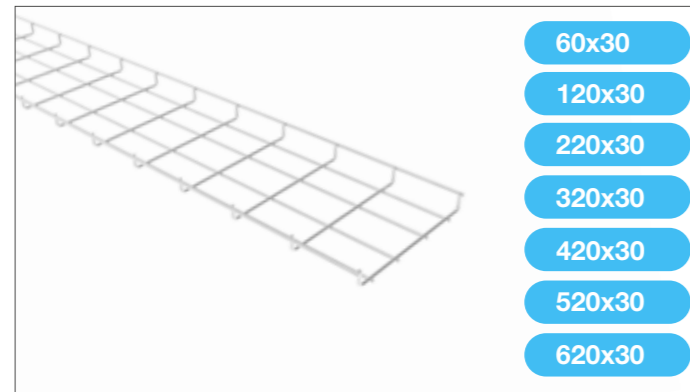
Stainless 304L
Material is 304L, EN-no 1.4307, acid. X-Tray has no accessories in 304L; rather, they are always 316L.
According to standard: SS 2352 / AISI 304L

Stainless 316L
Material is 316L, EN-no 1.4404, and is pickling by dipping it into an acid bath, this creates a surface without contamination that is easy to clean. Appropriate for use in environments with high demands on hygiene, for example the pharmaceutical and food industries.
According to standard: SS 2348 SF / AISI 316L

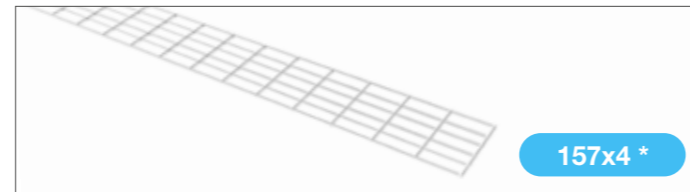
Overview X-Tray Cable trays

Even when working on the basis of the standards, there are always occasions when it is necessary to go further with specially customised solutions. The standard length is 2500 mm, but everything can be customised to your needs as a customer. X-Tray has no limitations.

U-Trays height 30 - 110 mm



Flat-Trays

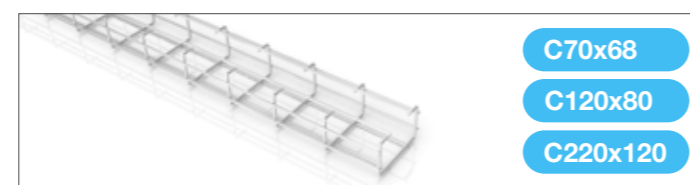


* Can be customised according to desired width and length. Delivery time will be added.

Mini-Trays



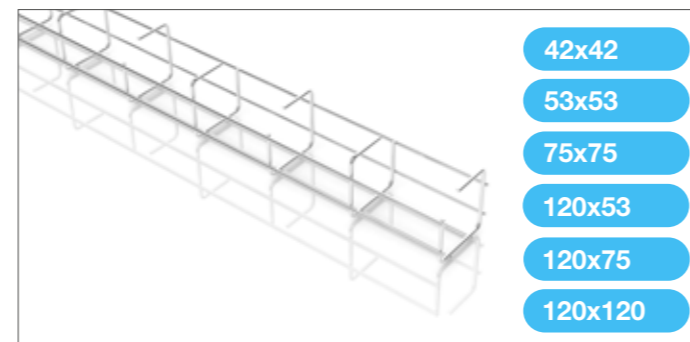
C-Trays



G-Trays



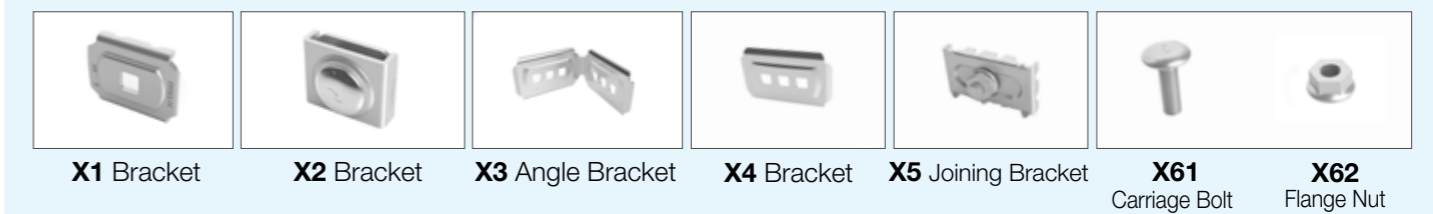
Z-Trays



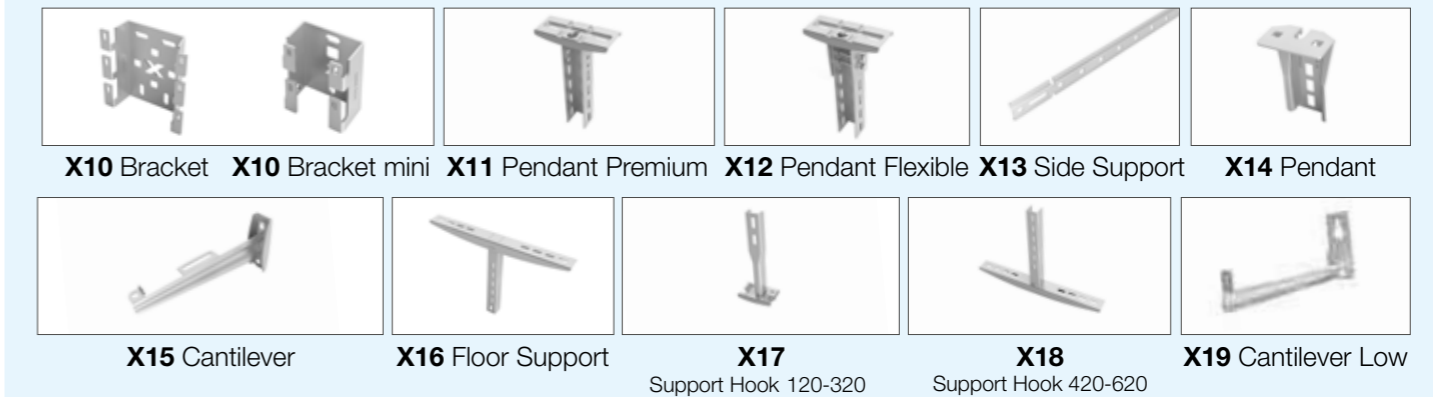
Overview X-Tray Accessories

The accessories are Material protected. Subject to change without prior notice.

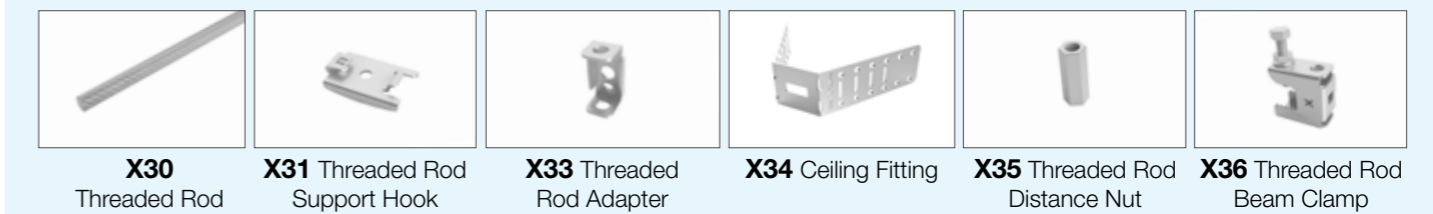
Brackets



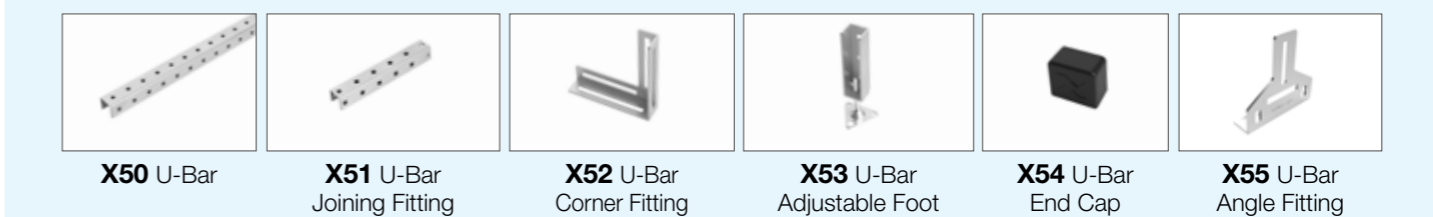
Mounting



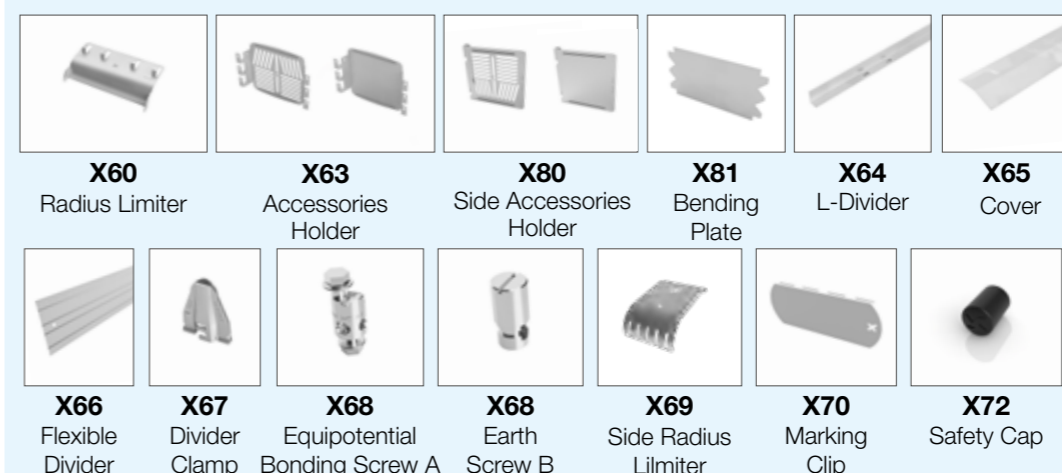
Threaded Rod



U-Bar



Other accessories



Tools



Choice of wire tray

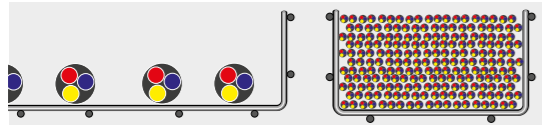
Consider the following when choosing wire trays

Environment



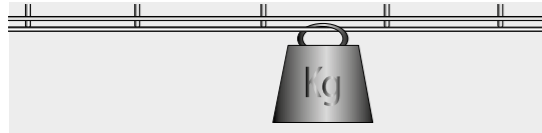
Environmental requirements for surface treatment and/or classification of installation are based on standards, use, surroundings or specified requirements.

Weight/volume



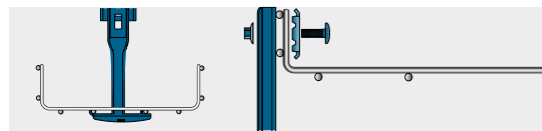
Weight and volume of cables taking into account future needs.

Extra weight



Extra weight from point loads.

Installation



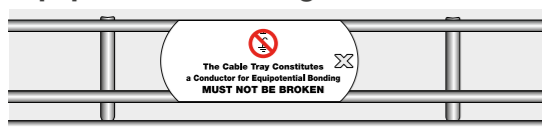
A complete system where few components solve installations against walls, from ceilings or on floors.

Bracket distance



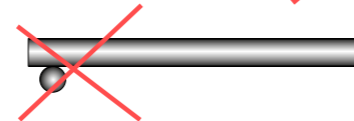
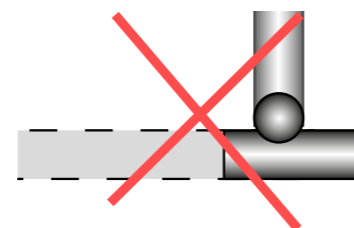
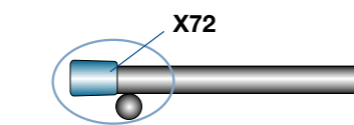
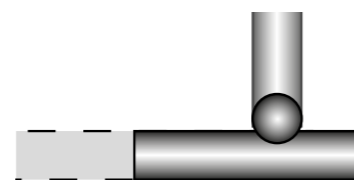
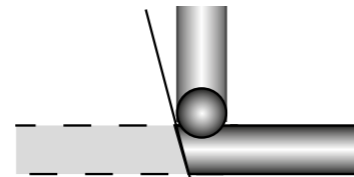
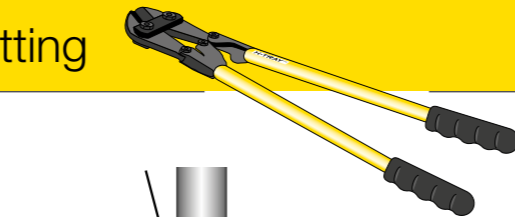
Greater distance between the brackets means less work and lower costs. We recommend a bracket spacing of 2.25 m.

Equipotential bonding



Tested for equipotential bonding. See page 67.

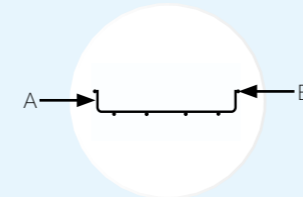
Cutting



X77 Wire cutting machine

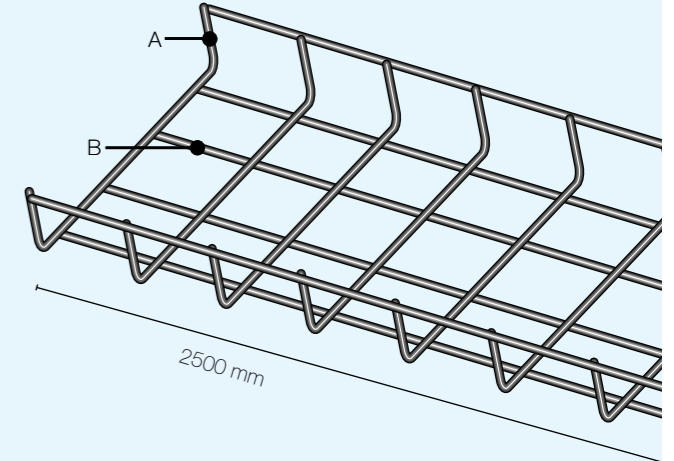
Cuts quickly and easily without leaving any sharp edges Unique tool that we always have in inventory.

Contact us for more information of to test a demo machine.



All measures in mm.
All measures are taken from the outer edges of the cable trays.
Width x height.
A & B = Wire diameter (Ø).

1 pcs



Cable Trays

60x30 L=2500mm | A = Ø 4, B = Ø 4

Material	Item No.	E-number
Zinc Plated Fzb	0100	1133029
Hot Dip galv. Fzv	0200	1133036
Stainless 316L	0300	1133043
Stainless 304L	0400	1133050

198 pcs / pallet

120x30 L=2500mm | A = Ø 5, B = Ø 5

Material	Item No.	E-number
Zinc Plated Fzb	0110	1133030
Hot Dip galv. Fzv	0210	1133037
Stainless 316L	0310	1133044
Stainless 304L	0410	1133051

144 pcs / pallet

220x30 L=2500mm | A = Ø 5, B = Ø 5

Material	Item No.	E-number
Zinc Plated Fzb	0120	1133031
Hot Dip galv. Fzv	0220	1133038
Stainless 316L	0320	1133045
Stainless 304L	0420	1133052

96 pcs / pallet

320x30 L=2500mm | A = Ø 5, B = Ø 5

Material	Item No.	E-number
Zinc Plated Fzb	0130	1133032
Hot Dip galv. Fzv	0230	1133039
Stainless 316L	0330	1133046
Stainless 304L	0430	1133053

44 pcs / pallet

420x30 L=2500mm | A = Ø 5, B = Ø 6

Material	Item No.	E-number
Zinc Plated Fzb	0140	1133033
Hot Dip galv. Fzv	0240	1133040
Stainless 316L	0340	1133047
Stainless 304L	0440	1133054

42 pcs / pallet

520x30 L=2500mm | A = Ø 5, B = Ø 6

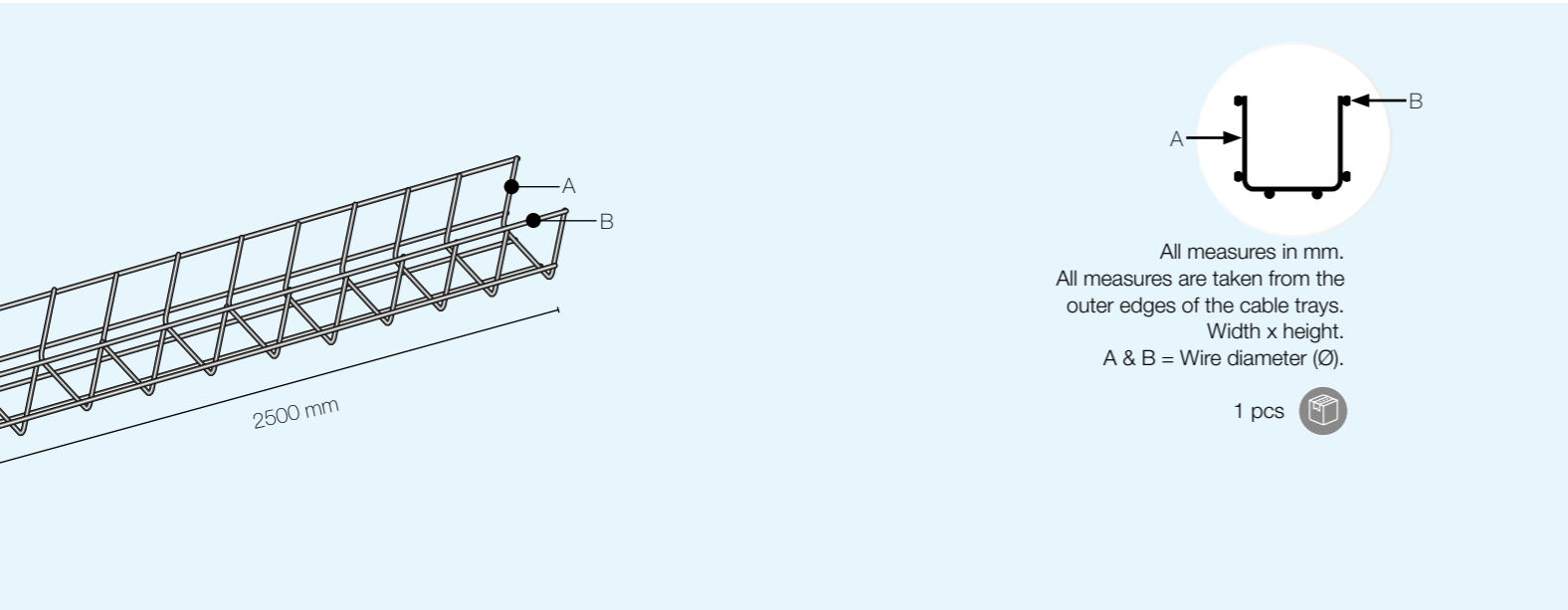
Material	Item No.	E-number
Zinc Plated Fzb	0150	1133034
Hot Dip galv. Fzv	0250	1133041
Stainless 316L	0350	1133048
Stainless 304L	0450	1133055

44 pcs / pallet

620x30 L=2500mm | A = Ø 5, B = Ø 6

Material	Item No.	E-number
Zinc Plated Fzb	0160	1133035
Hot Dip galv. Fzv	0260	1133042
Stainless 316L	0360	1133049
Stainless 304L	0460	1133056

46 pcs / pallet



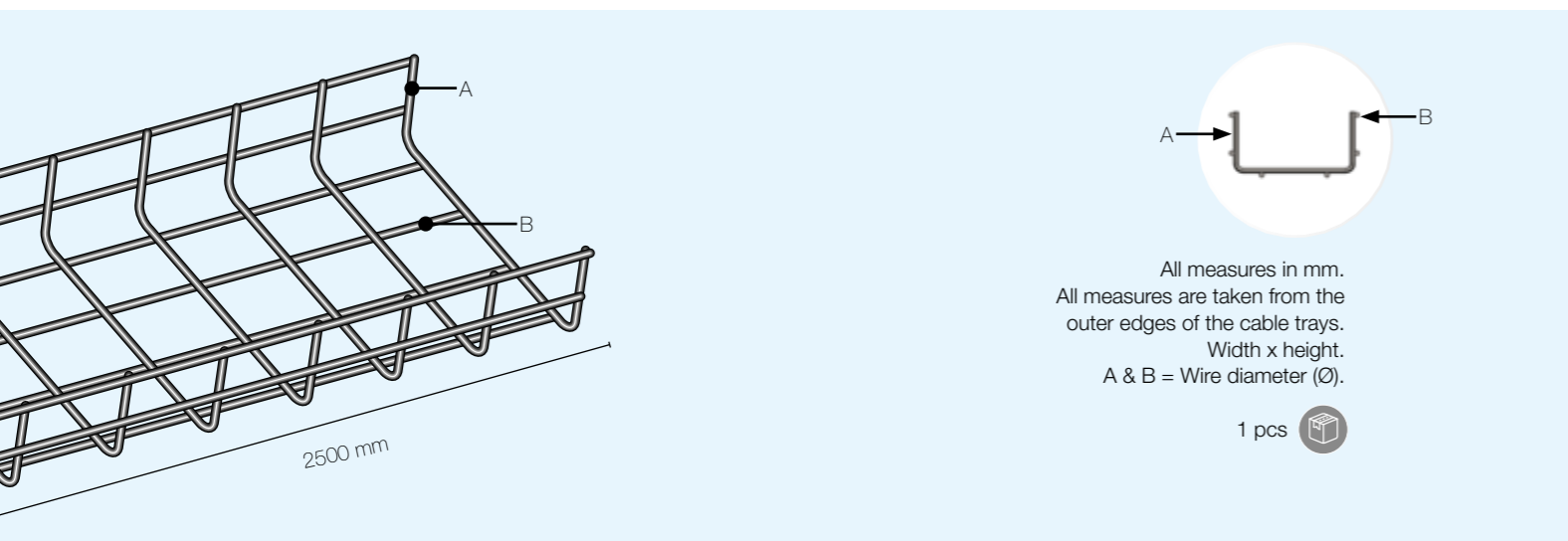
All measures in mm.
All measures are taken from the
outer edges of the cable trays.
Width x height.
A & B = Wire diameter (Ø).

1 pcs

53X46 L=2500mm | A = Ø 4, B = Ø 4

Material	Item No.	E-number
Zinc Plated Fzb	0199-053	1133111
Hot Dip galv. Fzv	0299-053	1133125
Stainless 316L	0399-053	1133139
Stainless 304L	0499-053	1133153

280 pcs / pallet



All measures in mm.
All measures are taken from the
outer edges of the cable trays.
Width x height.
A & B = Wire diameter (Ø).

1 pcs

60x60 L=2500mm | A = Ø 4, B = Ø 4

Material	Item No.	E-number
Zinc Plated Fzb	0101	1133100
Hot Dip galv. Fzv	0201	1133114
Stainless 316L	0301	1133128
Stainless 304L	0401	1133142

198 pcs / pallet

75x60 L=2500mm | A = Ø 4, B = Ø 4

Material	Item No.	E-number
Zinc Plated Fzb	0199-0754	1133112
Hot Dip galv. Fzv	0299-0754	1133126
Stainless 316L	0399-0754	1133140
Stainless 304L	0499-0754	1133154

198 pcs / pallet

75x60 L=2500mm | A = Ø 5, B = Ø 5

Material	Item No.	E-number
Zinc Plated Fzb	0199-0755	1133113
Hot Dip galv. Fzv	0299-0755	1133127
Stainless 316L	0399-0755	1133141
Stainless 304L	0499-0755	1133155

198 pcs / pallet

100x60 L=2500mm | A = Ø 5, B = Ø 5

Material	Item No.	E-number
Zinc Plated Fzb	0191-100	1133442
Hot Dip galv. Fzv	0291-100	1133454
Stainless 316L	0391-100	1133459
Stainless 304L	0491-100	1133464

168 pcs / pallet

120x60 L=2500mm | A = Ø 5, B = Ø 5

Material	Item No.	E-number
Zinc Plated Fzb	0111	1133101
Hot Dip galv. Fzv	0211	1133115
Stainless 316L	0311	1133129
Stainless 304L	0411	1133143

144 pcs / pallet

150x60 L=2500mm | A = Ø 5, B = Ø 5

Material	Item No.	E-number
Zinc Plated Fzb	0191-150	1133443
Hot Dip galv. Fzv	0291-150	1133455
Stainless 316L	0391-150	1133460
Stainless 304L	0491-150	1133465

120 pcs / pallet

220x60 L=2500mm | A = Ø 5, B = Ø 5

Material	Item No.	E-number
Zinc Plated Fzb	0121	1133103
Hot Dip galv. Fzv	0221	1133117
Stainless 316L	0321	1133131
Stainless 304L	0421	1133145

98 pcs / pallet

320x60 L=2500mm | A = Ø 5, B = Ø 5

Material	Item No.	E-number
Zinc Plated Fzb	0131	1133105
Hot Dip galv. Fzv	0231	1133119
Stainless 316L	0331	1133133
Stainless 304L	0431	1133147

72 pcs / pallet

420x60 L=2500mm | A = Ø 5, B = Ø 6

Material	Item No.	E-number
Zinc Plated Fzb	0141	1133107
Hot Dip galv. Fzv	0241	1133121
Stainless 316L	0341	1133135
Stainless 304L	0441	1133149

44 pcs / pallet

520x60 L=2500mm | A = Ø 5, B = Ø 6

Material	Item No.	E-number
Zinc Plated Fzb	0151	1133440
Hot Dip galv. Fzv	0251	1133452
Stainless 316L	0351	1133457
Stainless 304L	0451	1133462

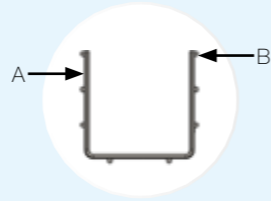
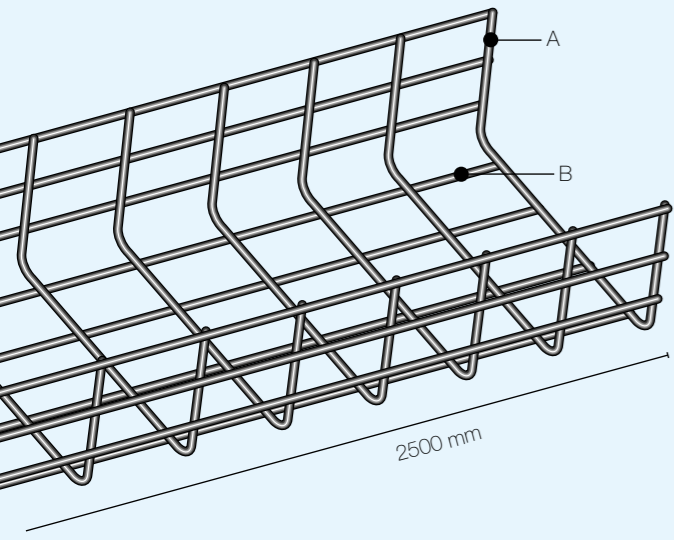
20 pcs / pallet

620x60 L=2500mm | A = Ø 5, B = Ø 6

Material	Item No.	E-number
Zinc Plated Fzb	0161	1133441
Hot Dip galv. Fzv	0261	1133453
Stainless 316L	0361	1133458
Stainless 304L	0461	1133463

20 pcs / pallet

X-TRAY® 110



All measures in mm.
All measures are taken from the outer edges of the cable trays.
Width x height.
A & B = Wire diameter (Ø).

1 pcs

120x110 L=2500mm | A = Ø 5, B = Ø 5

Material	Item No.	E-number
Zinc Plated Fzb	0112	1133102
Hot Dip galv. Fzv	0212	1133116
Stainless 316L	0312	1133130
Stainless 304L	0412	1133144

84 pcs / pallet

150x110 L=2500mm | A = Ø 5, B = Ø 5

Material	Item No.	E-number
Zinc Plated Fzb	0192-150	1133444
Hot Dip galv. Fzv	0292-150	1133456
Stainless 316L	0392-150	1133461
Stainless 304L	0492-150	1133466

76 pcs / pallet

220x110 L=2500mm | A = Ø 5, B = Ø 5

Material	Item No.	E-number
Zinc Plated Fzb	0122	1133104
Hot Dip galv. Fzv	0222	1133118
Stainless 316L	0322	1133132
Stainless 304L	0422	1133146

48 pcs / pallet

320x110 L=2500mm | A = Ø 5, B = Ø 5

Material	Item No.	E-number
Zinc Plated Fzb	0132	1133106
Hot Dip galv. Fzv	0232	1133120
Stainless 316L	0332	1133134
Stainless 304L	0432	1133148

36 pcs / pallet

420x110 L=2500mm | A = Ø 5, B = Ø 6

Material	Item No.	E-number
Zinc Plated Fzb	0142	1133108
Hot Dip galv. Fzv	0242	1133122
Stainless 316L	0342	1133136
Stainless 304L	0442	1133150

24 pcs / pallet

520x110 L=2500mm | A = Ø 5, B = Ø 6

Material	Item No.	E-number
Zinc Plated Fzb	0152	1133109
Hot Dip galv. Fzv	0252	1133123
Stainless 316L	0352	1133137
Stainless 304L	0452	1133151

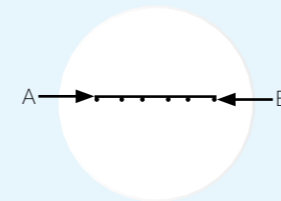
12 pcs / pallet

620x110 L=2500mm | A = Ø 5, B = Ø 6

Material	Item No.	E-number
Zinc Plated Fzb	0162	1133110
Hot Dip galv. Fzv	0262	1133124
Stainless 316L	0362	1133138
Stainless 304L	0462	1133152

12 pcs / pallet

X-TRAY® FLAT



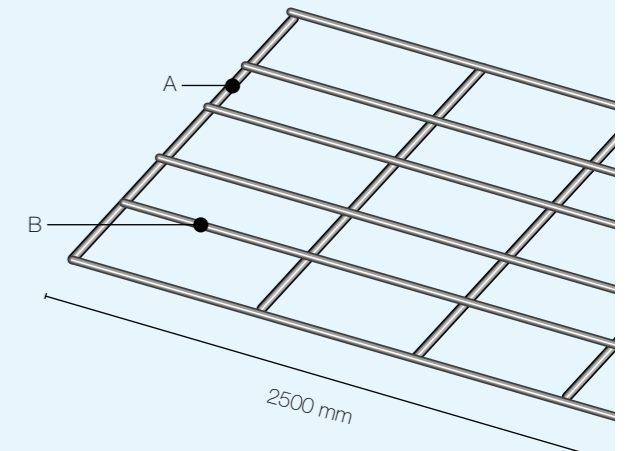
All measures in mm.
All measures are taken from the outer edges of the cable trays.
Width x height.
A & B = Wire diameter (Ø).

1 pcs

* Width and length, as well as wire thickness, can be customised as desired.

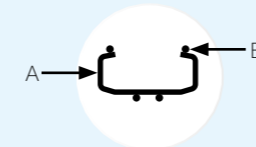
157 L=2500mm | A = Ø 4, B = Ø 4 *

Material	Item No.	E-number
Zinc Plated Fzb	1161	1132911
Hot Dip galv. Fzv	1261	1132912
Stainless 316L	1361	1132913
Stainless 304L	1461	1132914



Cable Trays

X-TRAY® MINI



All measures in mm.
All measures are taken from the outer edges of the cable trays.
Width x height.
A & B = Wire diameter (Ø).

1 pcs

30x22 L=2500mm | A = Ø 2,5, B = Ø 3

Material	Item No.	E-number
Zinc Plated Fzb	1152	1133175
Hot Dip galv. Fzv	1252	1133184
Stainless 316L	1352	1133192
Stainless 304L	1452	1133200

40x22 L=2500mm | A = Ø 2.5, B = Ø 3

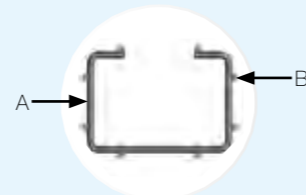
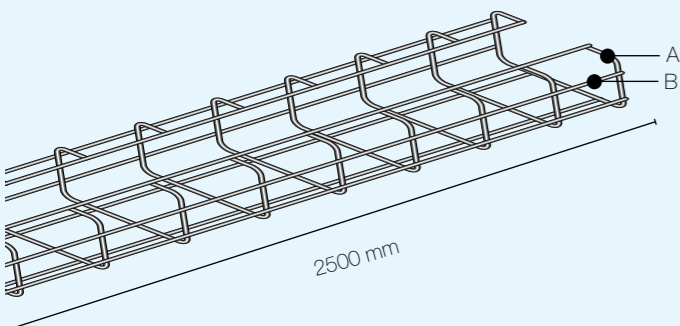
Material	Item No.	E-number
Zinc Plated Fzb	1153	1133177
Hot Dip galv. Fzv	1253	1133185
Stainless 316L	1353	1133193
Stainless 304L	1453	1133201

40x32 L=2500mm | A = Ø 2,5, B = Ø 3

Material	Item No.	E-number
Zinc Plated Fzb	1154	1133178
Hot Dip galv. Fzv	1254	1133186
Stainless 316L	1354	1133194
Stainless 304L	1454	1133202

Accessories | Self-tapping Screw

Material	Item No.	E-number
Zinc Plated Fzb	7100-070	1132954



All measures in mm.
All measures are taken from the outer edges of the cable trays.
Width x height.
A & B = Wire diameter (Ø).

1 pcs

70x68 L=2500mm | A = Ø 4, B = Ø 4

Material	Item No.	E-number
Zinc Plated Fzb	1110	1133170
Hot Dip galv. Fzv	1210	1133179
Stainless 316L	1310	1133187
Stainless 304L	1410	1133195

200 pcs / pallet

120x80 L=2500mm | A = Ø 5, B = Ø 5

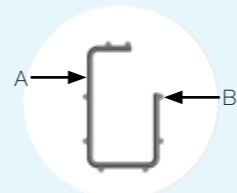
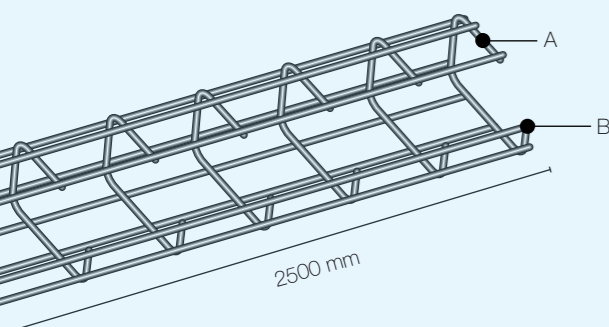
Material	Item No.	E-number
Zinc Plated Fzb	1111	1133171
Hot Dip galv. Fzv	1211	1133180
Stainless 316L	1311	1133188
Stainless 304L	1411	1133196

96 pcs / pallet

220x120 L=2500mm | A = Ø 5, B = Ø 5

Material	Item No.	E-number
Zinc Plated Fzb	1112	1133172
Hot Dip galv. Fzv	1212	1133181
Stainless 316L	1312	1133189
Stainless 304L	1412	1133197

48 pcs / pallet



All measures in mm.
All measures are taken from the outer edges of the cable trays.
Width x height.
A & B = Wire diameter (Ø).

1 pcs

60x100 L=2500mm | A = Ø 4, B = Ø 4

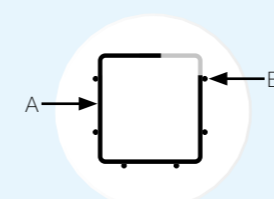
Material	Item No.	E-number
Zinc Plated Fzb	1121	1133173
Hot Dip galv. Fzv	1221	1133182
Stainless 316L	1321	1133190
Stainless 304L	1421	1133198

196 pcs / pallet

120x150 L=2500mm | A = Ø 5, B = Ø 5

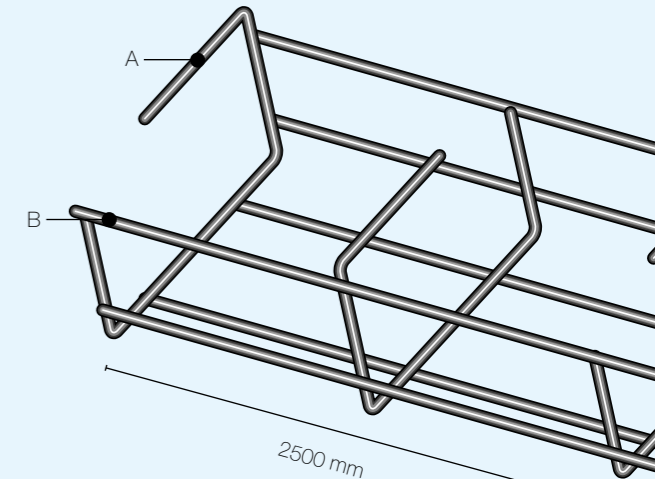
Material	Item No.	E-number
Zinc Plated Fzb	1122	1133174
Hot Dip galv. Fzv	1222	1133183
Stainless 316L	1322	1133191
Stainless 304L	1422	1133199

72 pcs / pallet



All measures in mm.
All measures are taken from the outer edges of the cable trays.
Width x height.
A & B = Wire diameter (Ø).

1 pcs



Cable Trays

42x42 L=2500mm | A = Ø 4, B = Ø 4

Material	Item No.	E-number
Zinc Plated Fzb	1140	1133057
Stainless 316L	1340	1133058
Stainless 304L	1440	1133059

144 pcs / pallet

53x53 L=2500mm | A = Ø 4, B = Ø 4

Material	Item No.	E-number
Zinc Plated Fzb	1141	1133060
Stainless 316L	1341	1133061
Stainless 304L	1441	1133062

140 pcs / pallet

75x75 L=2500mm | A = Ø 4, B = Ø 4

Material	Item No.	E-number
Zinc Plated Fzb	1142	1133063
Stainless 316L	1342	1133064
Stainless 304L	1442	1133065

100 pcs / pallet

120x53 L=2500mm | A = Ø 4, B = Ø 4

Material	Item No.	E-number
Zinc Plated Fzb	1143	1133066
Stainless 316L	1343	1133067
Stainless 304L	1443	1133068

72 pcs / pallet

120x75 L=2500mm | A = Ø 5, B = Ø 5

Material	Item No.	E-number
Zinc Plated Fzb	1144	1133069
Stainless 316L	1344	1133070
Stainless 304L	1444	1133071

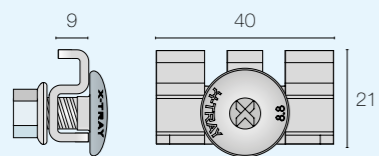
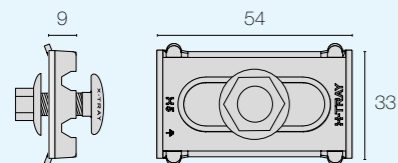
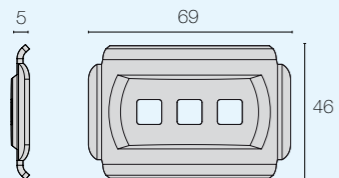
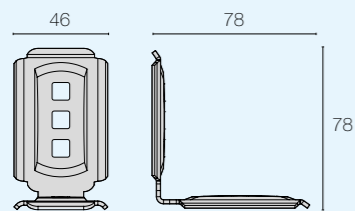
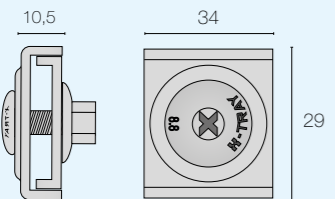
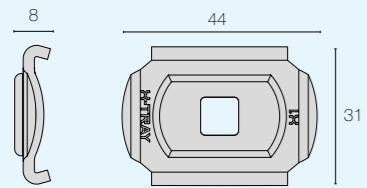
72 pcs / pallet

120x120 L=2500mm | A = Ø 5, B = Ø 5

Material	Item No.	E-number
Zinc Plated Fzb	1145	1133072
Stainless 316L	1345	1133073
Stainless 304L	1445	1133074

42 pcs / pallet

BRACKETS



All measures are in mm.
For more information about coatings,
see page 3.

All accessories are sold by the unit, as well as in bags or cartons.
(Unless otherwise stated)

X1 Fitting (Page 46-47, 50-56, 60-62)

Material	Item No.	E-number	Bag	Carton
Zinc Plated Fzb	2101	1133211	40	320
Zinc/Nickel	2201	1133263		
Stainless 316L	2301	1133317		

X2 Fitting, incl. bolts & nuts (Page 48-51)

Material	Item No.	E-number	Bag	Carton
Zinc Plated Fzb	2102	1133212	40	160
Zinc/Nickel	2202	1133264		
Stainless 316L	2302	1133318		

X3 Angle Fitting (Page 47, 51-52)

Material	Item No.	E-number	Bag	Carton
Zinc Plated Fzb	2103	1133213	10	60
Zinc/Nickel	2203	1133265		
Stainless 316L	2303	1133319		

(For T-junctions and mounts)

X4 Fitting (Page 46, 50, 52, 55, 61)

Material	Item No.	E-number	Bag	Carton
Zinc Plated Fzb	2104	1133214	40	160
Zinc/Nickel	2204	1133266		
Stainless 316L	2304	1133320		

X5 Joining Fitting, 20-pack incl. bolts & nuts (Page 44-45)

Material	Item No.	E-number	Bag	Carton
Zinc Plated Fzb	2105	1133215	1	8
Zinc/Nickel	2205	1133267		
Stainless 316L	2305	1133321		

Used for X-Tray U-trays with 60 & 110 mm side, as well as C, G & Z (except 42x42)

X5 Joining Fitting Mini, 20-pack incl. bolts & nuts (P. 44-45)

Material	Item No.	E-number	Bag	Carton
Zinc Plated Fzb	2105-2	1133026	1	8
Zinc/Nickel	2205-2	1133027		
Stainless 316L	2305-2	1133028		

Used for X-Tray U-trays with 30 mm low side, as well as Z-trays (except 42x42)

X61 & X62 Bolts and nuts for all accessories, see page 25

MOUNTING



All measures are in mm.
For more information about coatings,
see page 3.

All accessories are sold by the unit, as well as in bags or cartons.
(Unless otherwise stated)

X 10 - Mounting for wall and pendant mounting M8 expansion bolt for walls and X6 & X62 M8 bolt and nut for pendants.

X10 Bracket (Page 53)

Material	Item No.	E-number	Bag	Carton
Zinc Plated Fzb	2110-1	1133216	12	60
Hot Dip galv. Fzv	2210-1	1133268		
Stainless 316L	2310-1	1133322		

(For cable trays with 4 and 5 mm cable.)

X10 Bracket Mini (Page 53)

Material	Item No.	E-number	Bag	Carton
Zinc Plated Fzb	2110-2	1133217	12	60
Hot Dip galv. Fzv	2210-2	1133269		
Stainless 316L	2310-2	1133323		

(For cable trays with 4mm cable.)

X10 Bracket 50 (Page 53)

Material	Item No.	E-number	Bag	Carton
Zinc Plated Fzb	2110-3	1133588	12	60
Hot Dip galv. Fzv	2210-3	1133589		
Stainless 316L	2310-3	1133590		

(For cable trays with 4 and 5 mm cable.)

X10 Bracket Mini 50 (Page 53)

Material	Item No.	E-number	Bag	Carton
Zinc Plated Fzb	2110-4	1133591	12	60
Hot Dip galv. Fzv	2210-4	1133592		
Stainless 316L	2310-4	1133593		

(For cable trays with 4mm cable.)

X10 Bracket 100 (Page 53)

Material	Item No.	E-number	Bag	Carton
Zinc Plated Fzb	2110-5	1133594	12	60
Hot Dip galv. Fzv	2210-5	1133595		
Stainless 316L	2310-5	1133596		

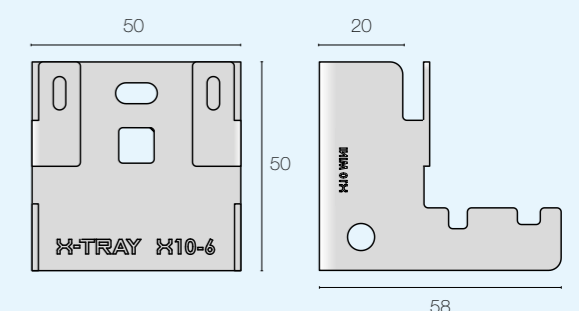
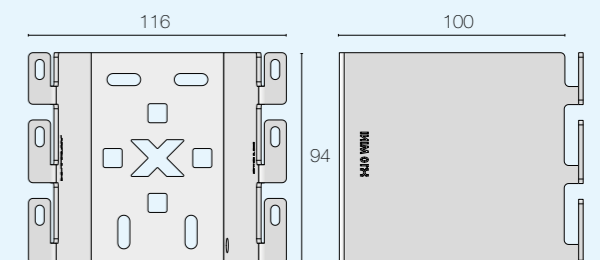
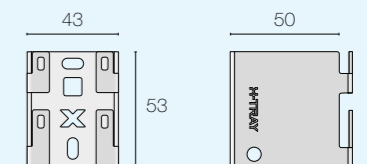
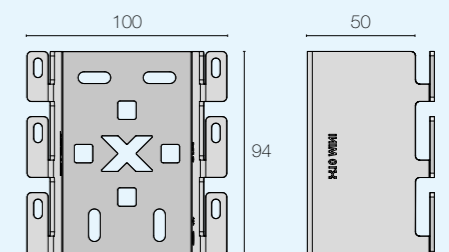
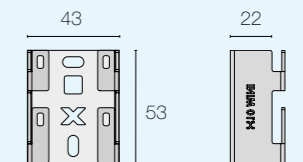
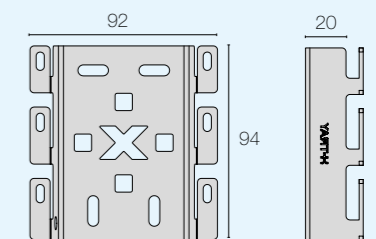
(For cable trays with 4 and 5 mm cable.)

X10 Bracket Low Side (Page 53)

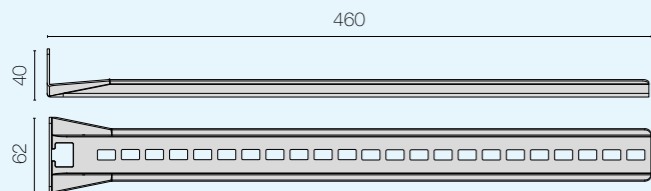
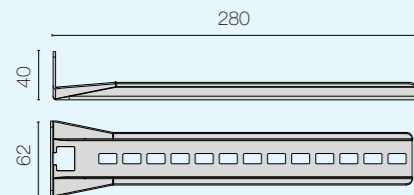
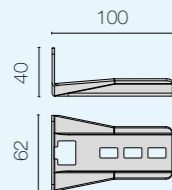
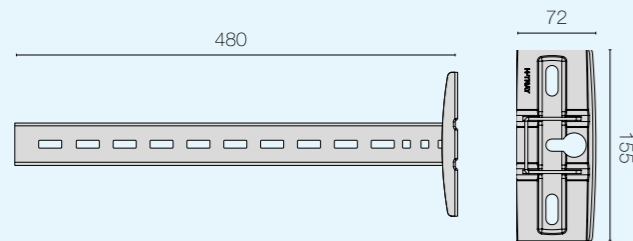
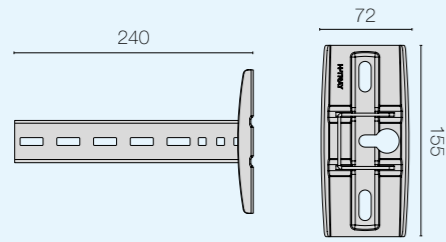
Material	Item No.	E-number	Bag	Carton
Zinc Plated Fzb	2110-6	1133597	12	60
Zinc/Nickel	2210-6	1133598		
Stainless 316L	2310-6	1133599		

For cable trays with 30 mm low side - 60 & 120 wide.

X61 & X62 Bolts and nuts for all accessories, see page 25



MOUNTING



All measures are in mm.
For more information about coatings,
see page 3.

All accessories are sold by the unit, as well as in bags or cartons.
(unless otherwise stated)

X11 Pendant Premium 240 (Page 56-57, 59-61)

Material	Item No.	E-number	Carton
Zinc Plated Fzb	2111-240	1133218	8
Zinc/Nickel	2211-240	1133270	
Stainless 316L	2311-240	1133324	

For heavier installations. Assembled with M8/M10 bolt. As an extension, use X50 U-Bar. Also available as flexible, X12 see page 20.

X11 Pendant Premium 480 (Page 56-57, 59-61)

Material	Item No.	E-number	Carton
Zinc Plated Fzb	2111-480	1133219	8
Zinc/Nickel	2211-480	1133271	
Stainless 316L	2311-480	1133325	

For heavier installations. Assembled with M8/M10 bolt. As an extension, use X50 U-Bar. Also available as flexible, X12 see page 20.

X14 Pendant 100 (Page 54-56)

Material	Item No.	E-number	Carton
Zinc Plated Fzb	2114-100	1133223	16
Hot Dip galv. Fzv	2214-100	1133275	
Stainless 316L	2314-100	1133329	

Pendant for lighter installations.

X14 Pendant 280 (Page 54-56)

Material	Item No.	E-number	Carton
Zinc Plated Fzb	2114-280	1133224	16
Hot Dip galv. Fzv	2214-280	1133276	
Stainless 316L	2314-280	1133330	

Pendant for lighter installations.

X14 Pendant 460 (Page 54-56)

Material	Item No.	E-number	Carton
Zinc Plated Fzb	2114-460	1133225	16
Hot Dip galv. Fzv	2214-460	1133277	
Stainless 316L	2314-460	1133331	

Pendant for lighter installations.

X61 & X62 Bolts and nuts for all accessories, see page 25

All measures are in mm.
For more information about coatings,
see page 3.

All accessories are sold by the unit, as well as in bags or cartons.
(unless otherwise stated)

Cantilever for wall and pendant mounting M8/M10 expansion bolt for walls and X61 & X62 M8 bolt and nut for pendants.

X15 Cantilever 60-120 (Page 52, 54, 56-57)

Material	Item No.	E-number	Carton
Zinc Plated Fzb	2115-120	1133226	10
Hot Dip galv. Fzv	2215-120	1133278	
Stainless 316L	2315-120	1133332	

X15 Cantilever 220 (Page 52, 54, 56-57)

Material	Item No.	E-number	Carton
Zinc Plated Fzb	2115-220	1133227	10
Hot Dip galv. Fzv	2215-220	1133279	
Stainless 316L	2315-220	1133333	

X15 Cantilever 320 (Page 52, 54, 56-57)

Material	Item No.	E-number	Carton
Zinc Plated Fzb	2115-320	1133228	10
Hot Dip galv. Fzv	2215-320	1133280	
Stainless 316L	2315-320	1133334	

X15 Cantilever 420 (Page 52, 54, 56-57)

Material	Item No.	E-number	Carton
Zinc Plated Fzb	2115-420	1133229	10
Hot Dip galv. Fzv	2215-420	1133281	
Stainless 316L	2315-420	1133335	

X15 Cantilever 520 (Page 52, 54, 56-57)

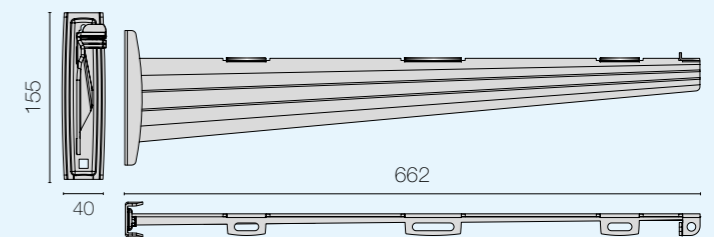
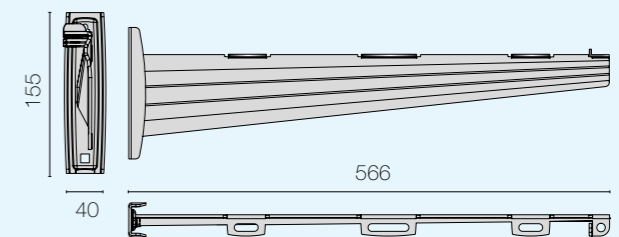
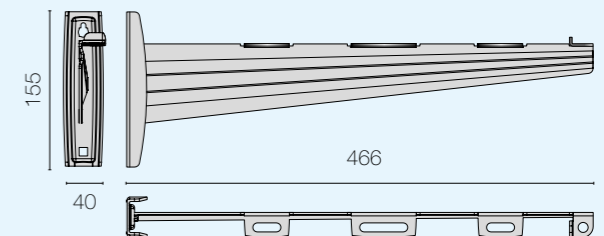
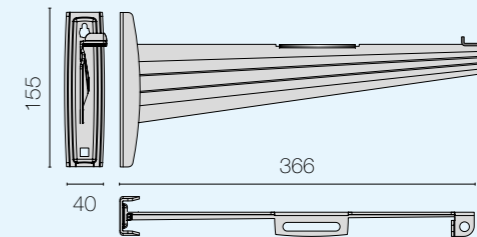
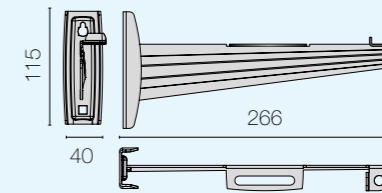
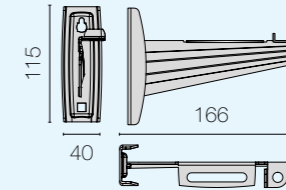
Material	Item No.	E-number	Carton
Zinc Plated Fzb	2115-520	1133230	6
Hot Dip galv. Fzv	2215-520	1133282	
Stainless 316L	2315-520	1133336	

X15 Cantilever 620 (Page 52, 54, 56-57)

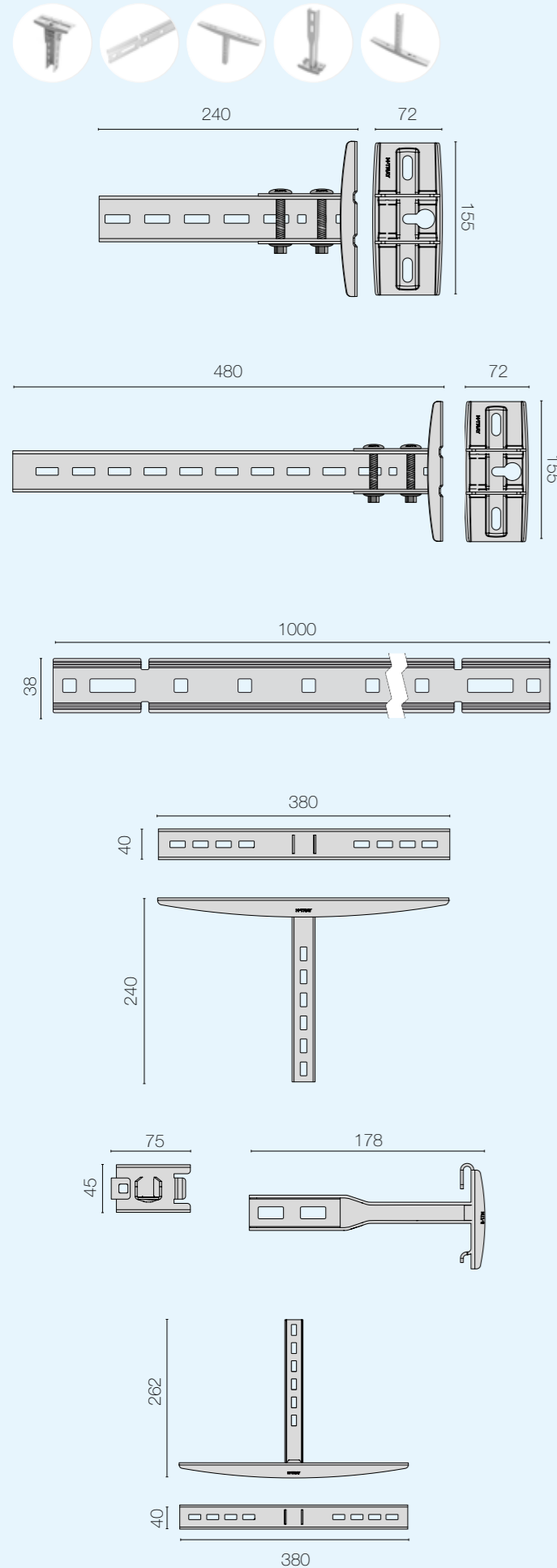
Material	Item No.	E-number	Carton
Zinc Plated Fzb	2115-620	1133231	6
Hot Dip galv. Fzv	2215-620	1133283	
Stainless 316L	2315-620	1133337	

X61 & X62 Bolts and nuts for all accessories, see page 25

MOUNTING



MOUNTING



All measures are in mm.
For more information about coatings,
see page 3.

All accessories are sold by the unit, as well as in bags or cartons.
(unless otherwise stated)

X12 Pendant Flexible 240 (Page 59-60)

Material	Item No.	E-number	Carton
Zinc Plated Fzb	2112-240	1133220	4
Zinc/Nickel	2212-240	1133272	
Stainless 316L	2312-240	1133326	

Adjustable ceiling mount 45°. Assembled with M8/M10 bolt.
As an extension, use X50 U-Bar.

X12 Pendant Flexible 480 (Page 59-60)

Material	Item No.	E-number	Carton
Zinc Plated Fzb	2112-480	1133221	4
Zinc/Nickel	2212-480	1133273	
Stainless 316L	2312-480	1133327	

Adjustable ceiling mount 45°. Assembled with M8/M10 bolt.
As an extension, use X50 U-Bar.

X13 Side Support (Page 59)

Material	Item No.	E-number	Carton
Zinc Plated Fzb	2113	1133222	8
Hot Dip galv. Fzv	2213	1133274	
Stainless 316L	2313	1133328	

Increases the stability of the pendant.

X16 Floor Support (Page 60-61)

Material	Item No.	E-number	Carton
Zinc Plated Fzb	2116	1133232	8
Hot Dip galv. Fzv	2216	1133284	
Stainless 316L	2316	1133338	

X17 Support Hook 120-320 (Page 54, 56-57, 60)

Material	Item No.	E-number	Bag / Carton
Zinc Plated Fzb	2117	1133233	8 / 16
Hot galv. Fzv	2217	1133285	
Stainless 316L	2317	1133339	

Support Hook for X-Tray 120-320 mm.

X18 Support Hook 420-620 (Page 54, 56-57, 59-60)

Material	Item No.	E-number	Carton
Zinc Plated Fzb	2118	1133234	8
Hot Dip galv. Fzv	2218	1133286	
Stainless 316L	2318	1133340	

Support Hook for X-Tray 420-620 mm.

X61 & X62 Bolts and nuts for all accessories, see page 25

MOUNTING

All measures are in mm.
For more information about coatings,
see page 3.

All accessories are sold by the unit, as well as in bags or cartons.
(unless otherwise stated)

For lightweight installations For heavier installations, place the cantilevers closer together, or use an X15 Cantilever.

X15 Low Cantilever 60-120 (Page 53)

Material	Item No.	E-number	Carton
Zinc Plated Fzb	2119-120	1133099	10
Hot Dip galv. Fzv	2219-120	1133379	
Stainless 316L	2319-120	1133380	

Max load 50 kg.

X19 Low Cantilever 220 (Page 53)

Material	Item No.	E-number	Carton
Zinc Plated Fzb	2119-220	1133545	10
Hot Dip galv. Fzv	2219-220	1133546	
Stainless 316L	2319-220	1133547	

Max load 50 kg.

X19 Low Cantilever 320 (Page 53)

Material	Item No.	E-number	Carton
Zinc Plated Fzb	2119-320	1133548	10
Hot Dip galv. Fzv	2219-320	1133549	
Stainless 316L	2319-320	1133550	

Max load 40 kg.

X19 Low Cantilever 420 (Page 53)

Material	Item No.	E-number	Carton
Zinc Plated Fzb	2119-420	1133551	10
Hot Dip galv. Fzv	2219-420	1133552	
Stainless 316L	2319-420	1133553	

Max load 35 kg.

X19 Low Cantilever 520 (Page 53)

Material	Item No.	E-number	Carton
Zinc Plated Fzb	2119-520	1133554	6
Hot Dip galv. Fzv	2219-520	1133555	
Stainless 316L	2319-520	1133556	

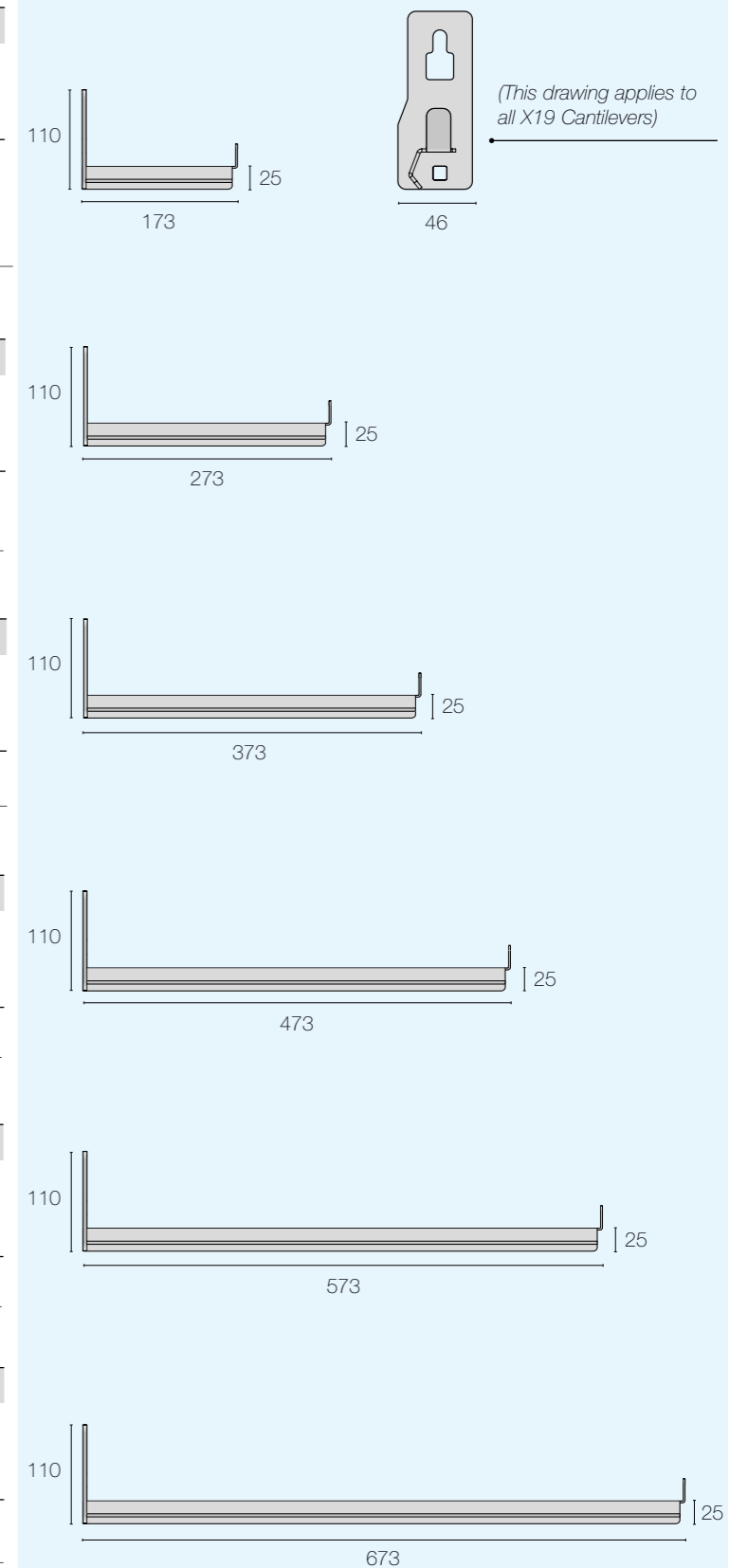
Max load 30 kg.

X19 Low Cantilever 620 (Page 53)

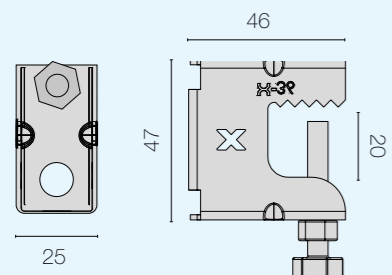
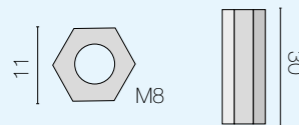
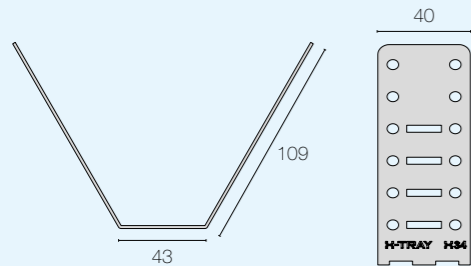
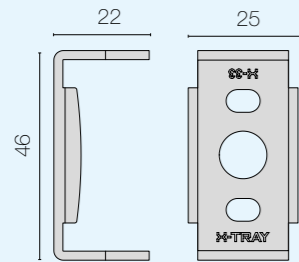
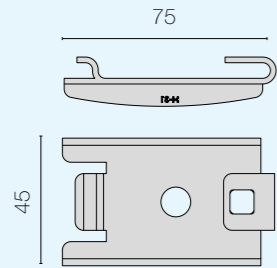
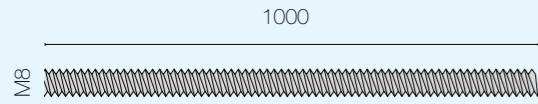
Material	Item No.	E-number	Carton
Zinc Plated Fzb	2119-620	1133557	6
Hot Dip galv. Fzv	2219-620	1133558	
Stainless 316L	2319-620	1133559	

Max load 30 kg.

X61 & X62 Bolts and nuts for all accessories, see page 25



THREADED ROD



All measures are in mm.
For more information about coatings,
see page 3.

All accessories are sold by the unit, as well as in bags or cartons.
(unless otherwise stated)

X30 Threaded Rod M8x1000 (Page 57, 61-62)

Material	Item No.	E-number	Carton
Zinc Plated Fzb	2130	1133235	10
Zinc/Nickel	2230	1133287	
Stainless 316L	2330	1133341	

For other lengths, ask us.

X31 Threaded Rod Support Hook (Page 61)

Material	Item No.	E-number	Bag	Carton
Zinc Plated Fzb	2131	1133236	10	60
Zinc/Nickel	2231	1133288		
Stainless 316L	2331	1133342		

For X-Tray 120-220 mm.

X33 Threaded Rod Adapter (Page 61)

Material	Item No.	E-number	Bag	Carton
Zinc Plated Fzb	2133	1133237	10	100
Zinc/Nickel	2233	1133289		
Stainless 316L	2333	1133343		

For installation of Threaded Rod.

X34 Ceiling Fitting (Page 62)

Material	Item No.	E-number	Carton
Senzimir	2234	1132928	60

Possible to adjust according to the angle of the ceiling.

X35 Threaded Rod Distance Nut, 10-pack (Page 62)

Material	Item No.	E-number	Bag	Carton
Zinc Plated Fzb	2135	1133238	1	10
Zinc/Nickel	2235	1133290		
Stainless 316L	2335	1133344		

Used to extend Threaded Rods.

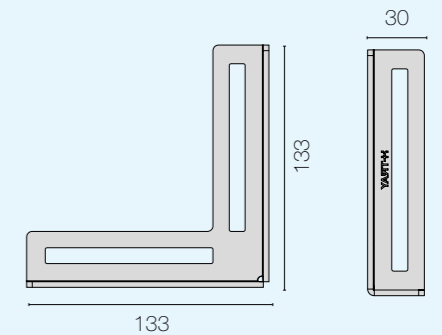
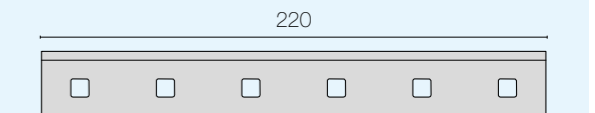
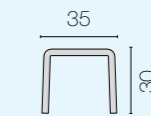
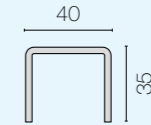
X36 Beam Clamp (Page 62)

Material	Item No.	E-number	Bag	Carton
Zinc/Nickel	2236	1133291	10	40

For installation of Threaded Rods or suspension of Hable trays.

X61 & X62 Bolts and nuts for all accessories, see page 25

U-BAR



All measures are in mm.
For more information about coatings,
see page 3.

All accessories are sold by the unit, as well as in bags or cartons.
(unless otherwise stated)

X50 U-Bar 400-3000 mm (Page 57-61)

Material	Item No.	E-number	Length:
Zinc Plated Fzb	2150-400	1133239	400
Zinc/Nickel	2250-400	1133292	400
Stainless 316L	2350-400	1133345	400
Zinc Plated Fzb	2150-520	1133240	520
Zinc Plated Fzb	2150-600	1133241	600
Zinc/Nickel	2250-600	1133293	600
Stainless 316L	2350-600	1133346	600
Zinc Plated Fzb	2150-720	1133242	720
Zinc Plated Fzb	2150-800	1133243	800
Zinc/Nickel	2250-800	1133294	800
Stainless 316L	2350-800	1133347	800
Zinc Plated Fzb	2150-920	1133244	920
Zinc Plated Fzb	2150-1000	1133245	1000
Zinc/Nickel	2250-1000	1133295	1000
Stainless 316L	2350-1000	1133348	1000
Zinc Plated Fzb	2150-1920	1133246	1920*
Zinc Plated Fzb	2150-2120	1133247	2120*
Zinc Plated Fzb	2150-2480	1133248	2480*
Zinc Plated Fzb	2150-3000	1133249	3000*

* 72 pcs / pallet

Used as an extension to X11/X12 Pendants. Or separately in order to build structures. Also used to built X-Rack.

X51 U-Bar Joining Fitting (Page 58)

Material	Item No.	E-number	Bag	Carton
Zinc Plated Fzb	2151	1133250	8	16
Zinc/Nickel	2251	1133296		
Stainless 316L	2351	1133349		

Used to extend U-bars.

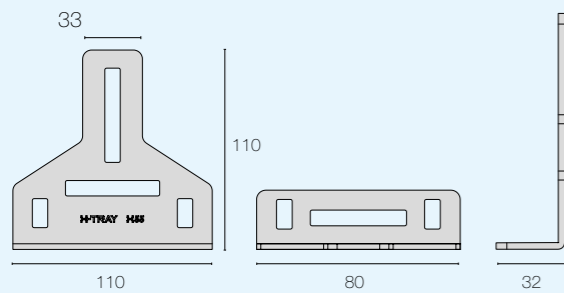
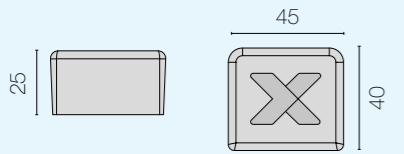
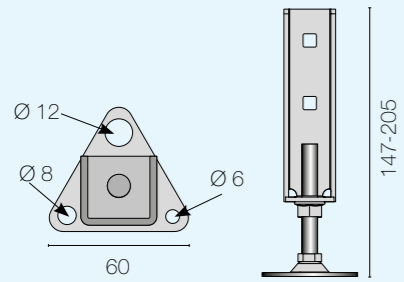
X52 U-Bar Corner Fitting (Page 58-59)

Material	Item No.	E-number	Bag	Carton
Zinc Plated Fzb	2152	1133251	8	32
Zinc/Nickel	2252	1133297		
Stainless 316L	2352	1133350		

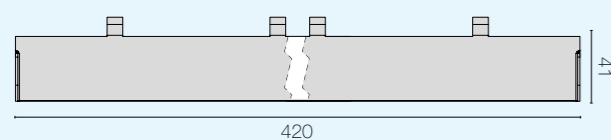
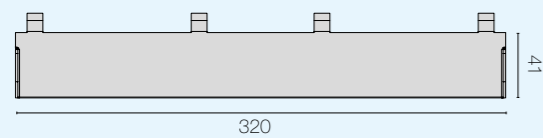
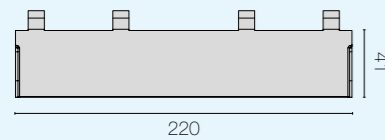
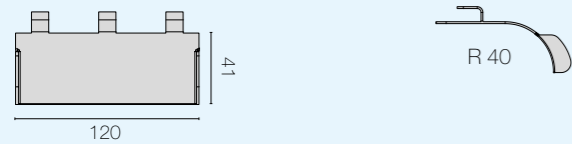
Used to install U-bars.

X61 & X62 Bolts and nuts for all accessories, see page 25

U-BAR



ACCESSORIES



All measures are in mm.
For more information about coatings,
see page 3.

All measures are in mm.
For more information about coatings,
see page 3.

All accessories are sold by the unit, as well as in bags or cartons.
(unless otherwise stated)

X53 U-Bar Adjustable Foot (Page 59)

Material	Item No.	E-number	Bag	Carton
Zinc Plated Fzb	2153	1133252	8	16
Zinc/Nickel	2253	1133298		

The adjustable foot is used to compensate for the difference in height on uneven floors.

X54 U-Bar End Cap

Material	Item No.	E-number	Bag	Carton
Black plastic	2554	1133369	10	80

Safety guard for U-bar ends.

X55 U-Bar Angle Fitting (Page 59)

Material	Item No.	E-number	Carton
Zinc Plated Fzb	2155	1132916	30
Zinc/Nickel	2255	1132917	
Stainless 316L	2355	1132918	

Used to install U-bars.

X61 & X62 Bolts and nuts for all accessories, see page 25

X60 Radius Limiter 120 (Page 64)

Material	Item No.	E-number	Carton
Zinc Plated Fzb	2160-120	1133253	8

Reduces bending radius for sensitive cables. Can be combined for greater width.

X60 Radius Limiter 220 (Page 64)

Material	Item No.	E-number	Carton
Zinc Plated Fzb	2160-220	1133254	8

Reduces bending radius for sensitive cables. Can be combined for greater width.

X60 Radius Limiter 320 (Page 64)

Material	Item No.	E-number	Carton
Zinc Plated Fzb	2160-320	1133255	8

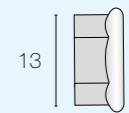
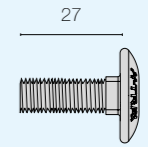
Reduces bending radius for sensitive cables. Can be combined for greater width.

X60 Radius Limiter 420 (Page 64)

Material	Item No.	E-number	Carton
Zinc Plated Fzb	2160-420	1133256	8

Reduces bending radius for sensitive cables. Can be combined for greater width.

ACCESSORIES



All accessories are sold by the unit, as well as in bags or cartons.
(unless otherwise stated)

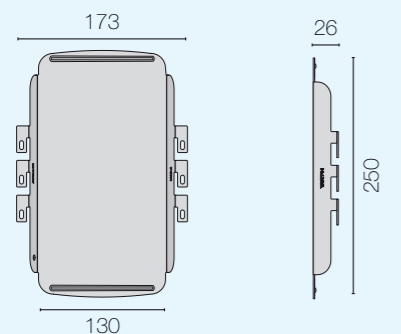
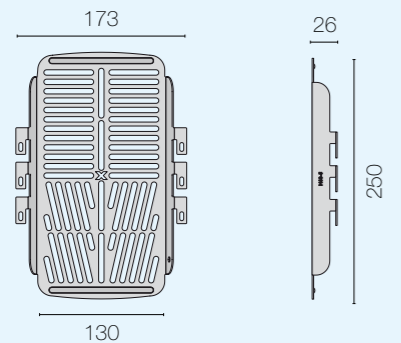
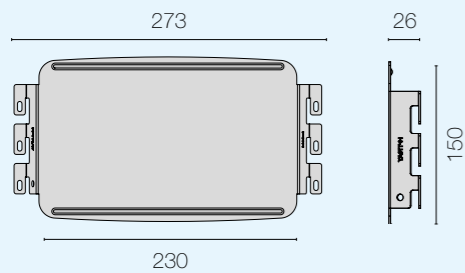
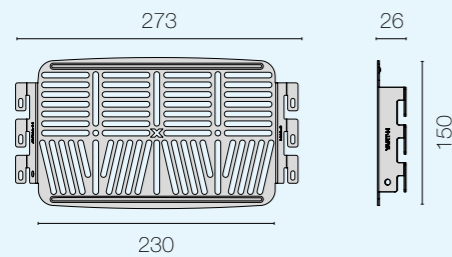
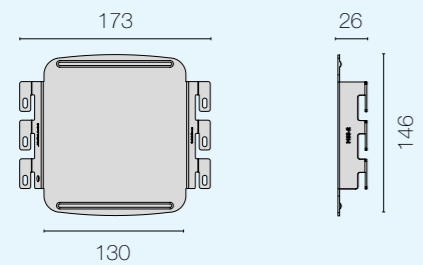
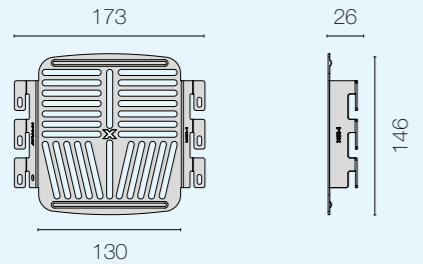
X61 Carriage Bolt M8x27, 40 pack (Page 44-47, 50-62)

Material	Item No.	E-number	Bag	Carton
Zinc Plated Fzb	2161	1133257	1	10
Zinc/Nickel	2261	1133299		
Stainless 316L	2361	1133351		

X62 Distance Nut M8, 40 pack (Page 44-47, 50-62)

Material	Item No.	E-number	Bag	Carton
Zinc Plated Fzb	2162	1133258	1	10
Zinc/Nickel	2262	1133300		
Stainless 316L	2362	1133352		

ACCESSORIES



All measures are in mm.
For more information about coatings,
see page 3.

All accessories are sold by the unit, as well as in bags or cartons.
(unless otherwise stated)

X63 Accessories Holder (Page 63)

Material	Item No.	E-number	Bag	Carton
Zinc Plated Fzb	2163-1	1133259	5	30
Hot Dip galv. Fzv	2263-1	1133301		
Stainless 316L	2363-1	1133353		

Attachment for accessories, with hole.

X63 Accessories Holder without hole (Page 63)

Material	Item No.	E-number	Bag	Carton
Zinc Plated Fzb	2163-2	1133260	5	30
Hot Dip galv. Fzv	2263-2	1133302		
Stainless 316L	2363-2	1133354		

Attachment for accessories, without hole.

X63 Accessories Holder Wide (Page 63)

Material	Item No.	E-number	Bag	Carton
Zinc Plated Fzb	2163-3	1133572	5	30
Hot Dip galv. Fzv	2263-3	1133573		
Stainless 316L	2363-3	1133574		

Attachment for accessories, with hole.

X63 Accessories Holder Wide without hole (Page 63)

Material	Item No.	E-number	Bag	Carton
Zinc Plated Fzb	2163-4	1133576	5	30
Hot Dip galv. Fzv	2263-4	1133577		
Stainless 316L	2363-4	1133578		

Attachment for accessories, without hole.

X63 Accessories Holder High (Page 63)

Material	Item No.	E-number	Bag	Carton
Zinc Plated Fzb	2163-5	1133580	5	30
Hot Dip galv. Fzv	2263-5	1133581		
Stainless 316L	2363-5	1133582		

Attachment for accessories, with hole.

X63 Accessories Holder High without hole (Page 63)

Material	Item No.	E-number	Bag	Carton
Zinc Plated Fzb	2163-6	1133584	5	30
Hot Dip galv. Fzv	2263-6	1133585		
Stainless 316L	2363-6	1133586		

Attachment for accessories, without hole.

All measures are in mm.
For more information about coatings,
see page 3.

All accessories are sold by the unit, as well as in bags or cartons.
(unless otherwise stated)

X63 Accessories Holder Mini (Page 63)

Material	Item No.	E-number	Bag	Carton
Zinc Plated Fzb	2163-7	1133601	5	30
Hot Dip galv. Fzv	2263-7	1133602		
Stainless 316L	2363-7	1133603		

Attachment for accessories, with hole.

X63 Accessories Holder Mini without hole (Page 63)

Material	Item No.	E-number	Bag	Carton
Zinc Plated Fzb	2163-8	1133605	5	30
Hot Dip galv. Fzv	2263-8	1133606		
Stainless 316L	2363-8	1133607		

Attachment for accessories, without hole.

X80 Side Accessories Holder (Page 63)

Material	Item No.	E-number	Bag	Carton
Zinc Plated Fzb	2180-1	1132920	5	30
Hot Dip galv. Fzv	2280-1	1132921		
Stainless 316L	2380-1	1132922		

Attachment for accessories, with hole. For all cable trays except Z-trays. Extra handy on vertical trays.

X80 Side Accessories Holder without hole (Page 63)

Material	Item No.	E-number	Bag	Carton
Zinc Plated Fzb	2180-2	1132924	5	30
Hot Dip galv. Fzv	2280-2	1132925		
Stainless 316L	2380-2	1132926		

Attachment for accessories, without hole. For all cable trays except Z-trays. Extra handy on vertical trays.

X80 Side Accessories Holder High (Page 63)

Material	Item No.	E-number	Bag	Carton
Zinc Plated Fzb	2180-3	1133564	5	30
Hot Dip galv. Fzv	2280-3	1133565		
Stainless 316L	2380-3	1133566		

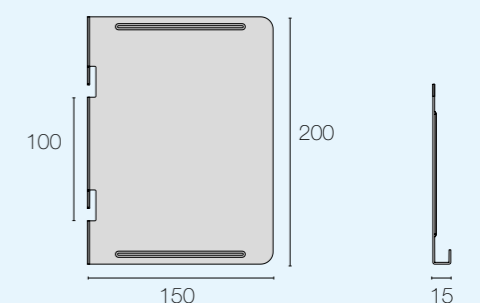
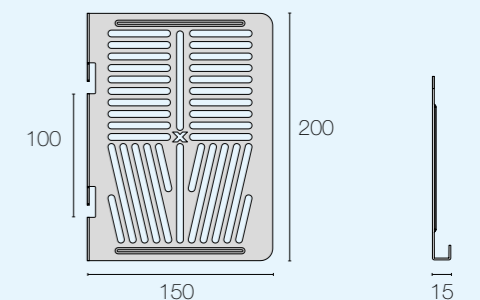
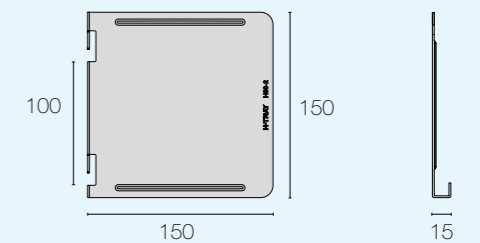
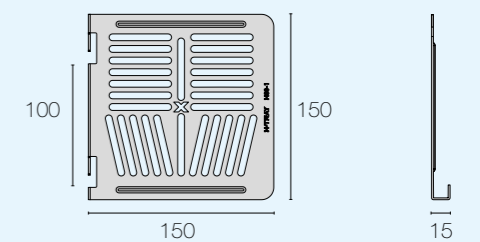
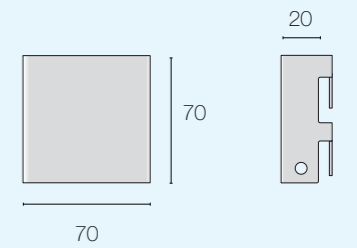
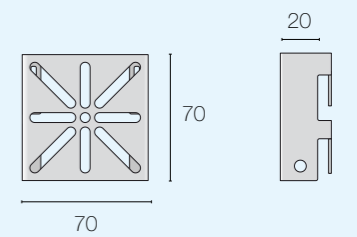
Attachment for accessories, with hole. For all cable trays except Z-trays. Extra handy on vertical trays.

X80 Side Accessories Holder High without hole (Page 63)

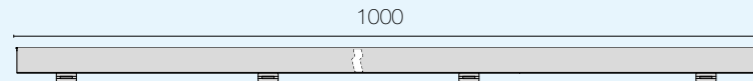
Material	Item No.	E-number	Bag	Carton
Zinc Plated Fzb	2180-4	1133568	5	30
Hot Dip galv. Fzv	2280-4	1133569		
Stainless 316L	2380-4	1133570		

Attachment for accessories, without hole. For all cable trays. Extra handy on vertical trays.

ACCESSORIES



ACCESSORIES



All measures are in mm.
For more information about coatings,
see page 3.

All measures are in mm.
For more information about coatings,
see page 3.

All accessories are sold by the unit, as well as in bags or cartons.
(unless otherwise stated)

X65 Cover 53 (Page 65)

Material	Item No.	E-number
Sendzimir Fzs	2265-53	1133305
Stainless 316L	2365-53	1133357

X65 Cover 60

Material	Item No.	E-number
Sendzimir Fzs	2265-60	1133306
Stainless 316L	2365-60	1133358

X65 Cover 75

Material	Item No.	E-number
Sendzimir Fzs	2265-75	1133307
Stainless 316L	2365-75	1133359

X65 Cover 100

Material	Item No.	E-number
Sendzimir Fzs	2265-100	1133476
Stainless 316L	2365-100	1133480

X65 Cover 120

Material	Item No.	E-number
Sendzimir Fzs	2265-120	1133308
Stainless 316L	2365-120	1133360

X65 Cover 150

Material	Item No.	E-number
Sendzimir Fzs	2265-150	1133477
Stainless 316L	2365-150	1133481

X65 Cover 220

Material	Item No.	E-number
Sendzimir Fzs	2265-220	1133309
Stainless 316L	2365-220	1133361

X65 Cover 320

Material	Item No.	E-number
Sendzimir Fzs	2265-320	1133310
Stainless 316L	2365-320	1133362

X65 Cover 420

Material	Item No.	E-number
Sendzimir Fzs	2265-420	1133311
Stainless 316L	2365-420	1133363

X65 Cover 520

Material	Item No.	E-number
Sendzimir Fzs	2265-520	1133312
Stainless 316L	2365-520	1133364

X65 Cover 620

Material	Item No.	E-number
Sendzimir Fzs	2265-620	1133313
Stainless 316L	2365-620	1133365

All accessories are sold by the unit, as well as in bags or cartons.
(unless otherwise stated)

X64 L-Divider 45 mm (Page 66)

Material	Item No.	E-number
Sendzimir Fzs	2264-45	1133303
Stainless 316L	2364-45	1133355

X64 L-Divider 95 mm (Page 66)

Material	Item No.	E-number
Sendzimir Fzs	2264-95	1133304
Stainless 316L	2364-95	1133356

300 pcs / pallet

X66 Divider Flexible 45 mm (Page 66)

Material	Item No.	E-number
Sendzimir Fzs	2266-45	1133314
Stainless 316L	2366-45	1133366

X66 Divider Flexible 95 mm (Page 66)

Material	Item No.	E-number
Sendzimir Fzs	2266-95	1133315
Stainless 316L	2366-95	1133367

400 pcs / pallet

For use together with X67. Flexible and pliable.

X67 Divider Clamp for Divider Flexible (Page 66)

Material	Item No.	E-number	Bag / Carton
Sendzimir Fzs	2267	1133316	20 / 160
Stainless 316L	2367	1133368	

For use together with X66. Installation distance cc 50 cm.

X68 Equipotential Bonding Screw (Page 65)

Material	Item No.	E-number	Bag / Carton
Brass	2568	1133370	10 / 100

Nickel-coated. For cables up to 25 mm²; however, only 16 mm² cables in the hole.
For more information about the equipotential bonding, see page 67 or go to axelent.com.

X68 Earth Screw (Page 65)

Material	Item No.	E-number	Bag / Carton
Brass	2568-1	1133371	10 / 100

Nickel-coated. For cables up to 25 mm².

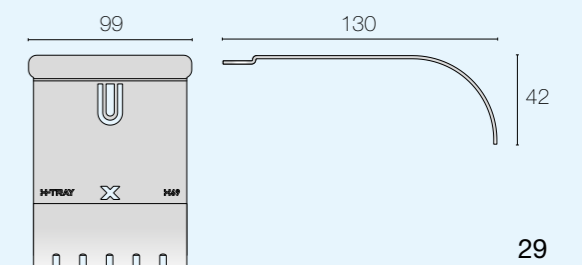
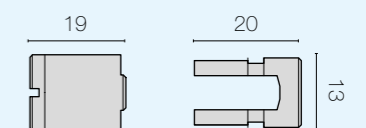
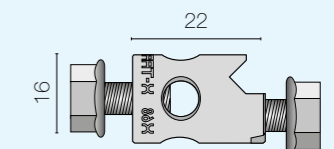
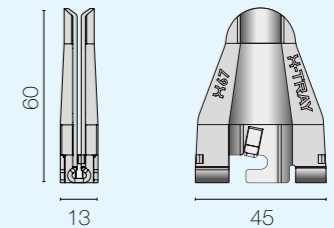
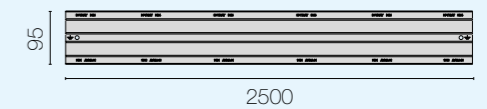
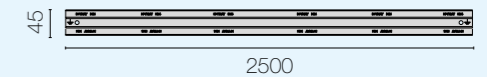
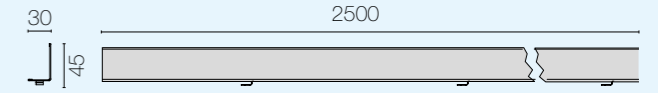
For more information about the equipotential bonding, see page 67 or go to axelent.com.

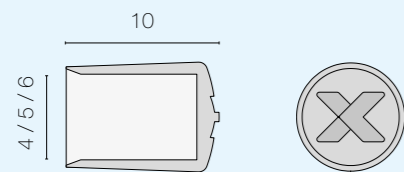
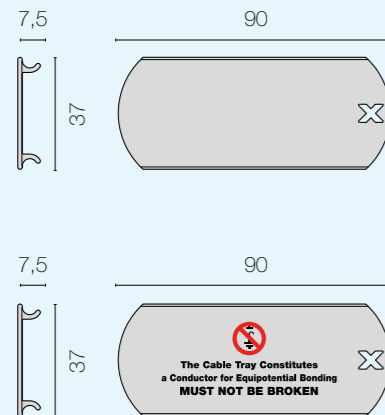
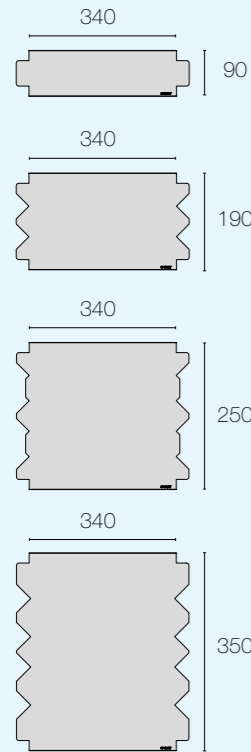
X69 Side Radius Limiter (Page 65)

Material	Item No.	E-number	Carton
Zinc Plated Fzb	2169	1132932	10

Reduces bending radius for sensitive cables.

ACCESSORIES





All measures are in mm.
For more information about coatings,
see page 3.

All accessories are sold by the unit, as well as in bags or cartons.
(unless otherwise stated)

X81 Bending Plate 120 (Page 63)

Material	Item no.	E-number	Carton
Aluminium	2581-120	1133531	10

X81 Bending Plate 220 (Page 63)

Material	Item no.	E-number	Carton
Aluminium	2581-220	1133532	10

X81 Bending Plate 320 (Page 63)

Material	Item no.	E-number	Carton
Aluminium	2581-320	1133533	10

X81 Bending Plate 420 (Page 63)

Material	Item no.	E-number	Carton
Aluminium	2581-420	1133534	10

X70 Marking Clip (Page 63)

Material	Item no.	E-number	Bag	Carton
White plastic	2570-01	1133372	10	100

Plastic, halogen-free. Available with your choice of print for an additional cost.

X70 Marking Clip Equipotential Bonding (Page 63)

Material	Item no.	E-number	Bag	Carton
Swedish	2570-02	1133373	10	100
English	2570-03	1133374		
German	2570-04	1133375		

Plastic, halogen-free.

X72 Safety Cap, 100 pack (Page 50-51, 63)

Material	Item no.	E-number	Carton
Black plastic Ø 4 mm	2572-4	1133376	10
Black plastic Ø 4 mm	2572-5	1133377	
Black plastic Ø 6 mm	2572-6	1133378	

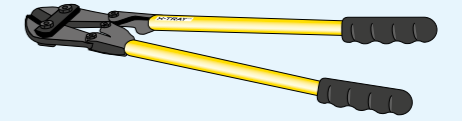
Safety guard against sharp edges. Halogen-free.

All measures are in mm.
For more information about coatings,
see page 3.

All accessories are sold by the unit, as well as in bags or cartons.
(unless otherwise stated)

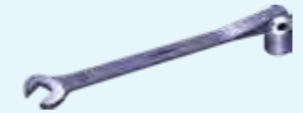
X75 Bolt Cutter (Page 48-51)

Material	Item no.	E-number
Chrome Molybdanum	2575	1660847



X76 13 mm Spanner

Material	Item no.	E-number
Chrome Vanadium	2576	1660848

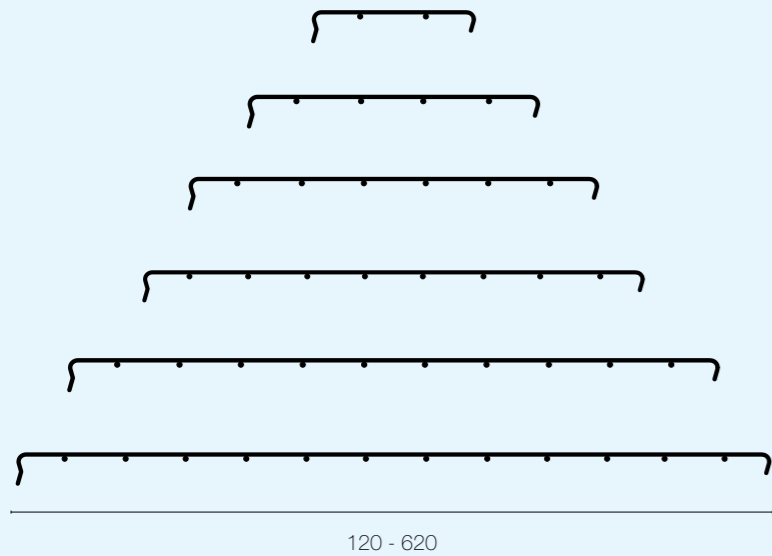
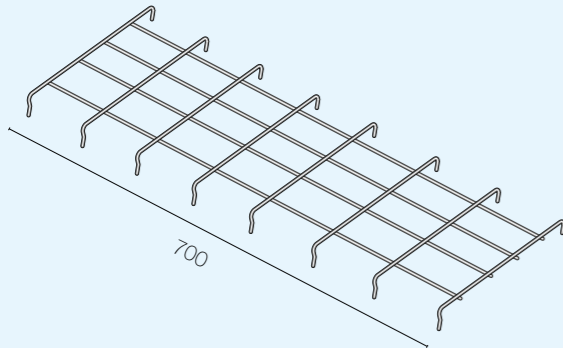


X77 Wire Cutting Machine (incl. battery, charger & bag)

Material	Item no.	E-number
Wire cutting machine - Battery operated	2577	1639942
Battery Bosch Li-Ion 18V/2.0 Ah	2577-1	1639943
Spare blade kit	2577-2	1639944



X-TRAY® ADDITIONAL LAYER



All measures are in mm.
For more information about coatings,
see page 3.

All measures are in mm.
For more information about coatings,
see page 3.

All accessories are sold by the unit, as well as in bags or cartons.
(unless otherwise stated)

X-Tray Additional Layer 120x700

Material	Item no.	E-number
Zinc Plated Fzb	4199-079	1133075
Hot Dip galv. Fzv	4299-079	1133076
Stainless 316L	4399-079	1133077
Stainless 304L	4499-079	1133078

X-Tray Additional Layer 220x700

Material	Item no.	E-number
Zinc Plated Fzb	4199-080	1133079
Hot Dip galv. Fzv	4299-080	1133080
Stainless 316L	4399-080	1133081
Stainless 304L	4499-080	1133082

X-Tray Additional Layer 320x700

Material	Item no.	E-number
Zinc Plated Fzb	4199-081	1133083
Hot Dip galv. Fzv	4299-081	1133084
Stainless 316L	4399-081	1133085
Stainless 304L	4499-081	1133086

X-Tray Additional Layer 420x700

Material	Item no.	E-number
Zinc Plated Fzb	4199-082	1133087
Hot Dip galv. Fzv	4299-082	1133088
Stainless 316L	4399-082	1133089
Stainless 304L	4499-082	1133090

X-Tray Additional Layer 520x700

Material	Item no.	E-number
Zinc Plated Fzb	4199-083	1133091
Hot Dip galv. Fzv	4299-083	1133092
Stainless 316L	4399-083	1133093
Stainless 304L	4499-083	1133094

X-Tray Additional Layer 620x700

Material	Item no.	E-number
Zinc Plated Fzb	4199-084	1133095
Hot Dip galv. Fzv	4299-084	1133096
Stainless 316L	4399-084	1133097
Stainless 304L	4499-084	1133098

Used for an extra layer of cables / lock cables in place / protective lock.

All accessories are sold by the unit, as well as in bags or cartons.
(unless otherwise stated)

This page only displays a selection of our accessories for X-Tray that have been added via customised needs. If you are missing anything in our product range, do not hesitate to get in touch.

Other coatings by request.

Conveyor Bracket

Material	Item no.	E-number
Zinc Plated Fzb	7100-025	1133486

Bend Support Complete kit

Material	Item no.	E-number
Zinc Plated Fzb	7100-028	1133489

Contains bend supports as well as fitting for both sides of the cable tray.

Wall Bracket Sandwich Element

Material	Item no.	E-number
Length 330 - Zinc Plated Fzb	7100-088	1133511
Length 660 - Zinc Plated Fzb	7100-089	1133512

Vertical Connector

Material	Item no.	E-number
Zinc Plated Fzb	7100-111	1133611

Flexible Joint

Material	Item no.	E-number
Zinc Plated Fzb	7100-135	1133615

Sold as a complete kit for 2 sides, 4 pcs X1 Fitting, as well as bolts and nuts.

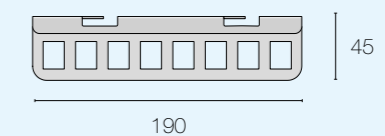
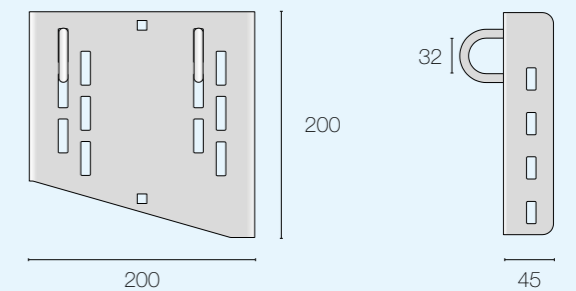
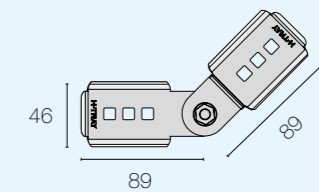
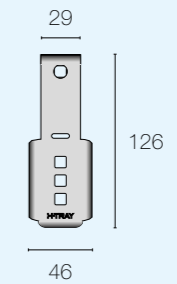
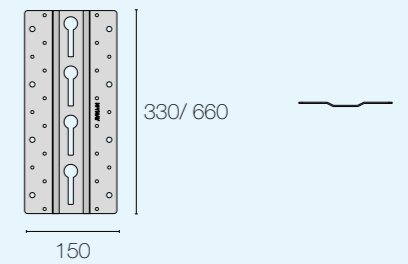
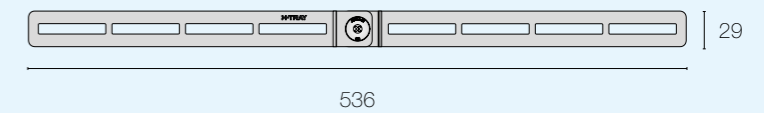
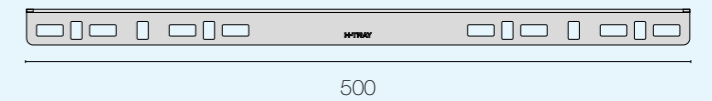
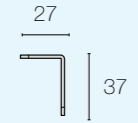
Tunnel Bracket

Material	Item no.	E-number
Hot Dip galv. Fzv	7200-179	1132962

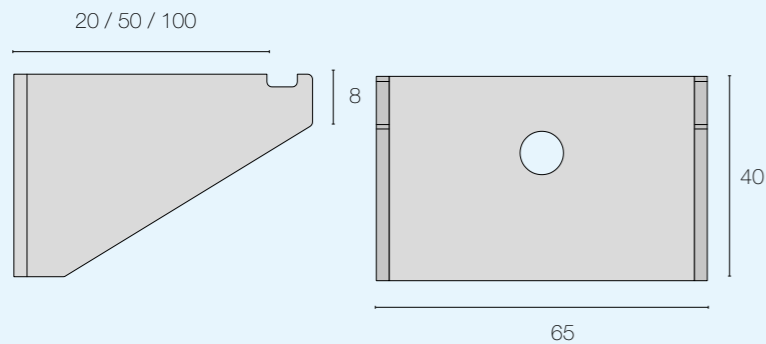
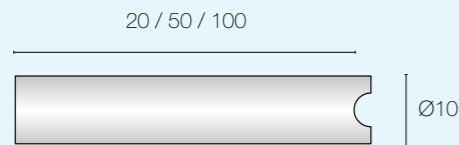
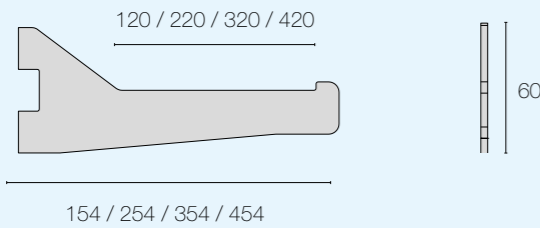
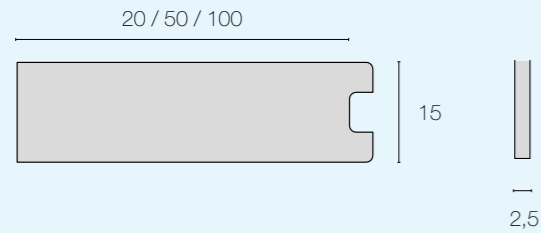
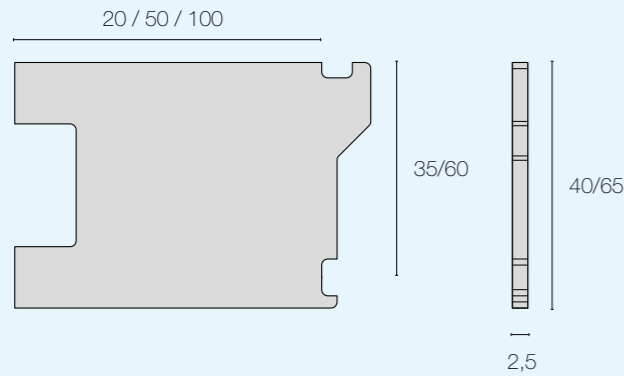
Patch Panel Mount

Material	Item no.	E-number
Zinc Plated Fzb	7100-195	1132958

OPTIONS



MOUNTING - HYGIENIC



All measures are in mm.
For more information about coatings,
see page 3.

All accessories are sold by the unit, as well as in bags or cartons.
(unless otherwise stated)
Also see the X10 Bracket, page 10.
The items in this issue are also available with other coatings.
We also have several models available time permitting.

Welding Bracket Flat (Page 36)

Material	Item no.	E-number
H35 D20 Stainless 316L	7300-097	1132970
H60 D20 Stainless 316L	7300-098	1132973
H35 D50 Stainless 316L	7300-141	1132971
H60 D50 Stainless 316L	7300-142	1132974
H35 D100 Stainless 316L	7300-143	1132972
H60 D100 Stainless 316L	7300-144	1132975

Welding Bracket Flat (Page 36)

Material	Item no.	E-number
D20 Stainless 316L	7300-110	1132967
D50 Stainless 316L	7300-145	1132968
D100 Stainless 316L	7300-146	1132969

Welding Cantilever Flat (Page 36)

Material	Item no.	E-number
D120 Stainless 316L	7300-171	1132999
D220 Stainless 316L	7300-172	1133002
D320 Stainless 316L	7300-173	1133003
D420 Stainless 316L	7300-174	1133004

Welding Bracket Round (Page 36)

Material	Item no.	E-number
D20 Stainless 316L	7300-156	1132964
D50 Stainless 316L	7300-157	1132965
D100 Stainless 316L	7300-158	1132966

Welding Bracket X10 (Page 36)

Material	Item no.	E-number
D20 Stainless 316L	7300-149	1132976
D50 Stainless 316L	7300-152	1132977
D100 Stainless 316L	7300-155	1132978

All measures are in mm.
For more information about coatings,
see page 3.

All accessories are sold by the unit, as well as in bags or cartons.
(unless otherwise stated)
Also see the X10 Bracket, page 10.
The items in this issue are also available with other coatings.
We also have several models available time permitting.

Welding Bracket X10 (Page 36)

Material	Item no.	E-number
H35 D20 Stainless 316L	7300-147	1132979
H60 D20 Stainless 316L	7300-148	1132982
H35 D50 Stainless 316L	7300-150	1132980
H60 D50 Stainless 316L	7300-151	1132983
H35 D100 Stainless 316L	7300-153	1132981
H60 D100 Stainless 316L	7300-154	1132984

Welding Cantilever Strong (Page 36)

Material	Item no.	E-number
D120 Stainless 316L	7300-163	1132991
D220 Stainless 316L	7300-164	1132992
D320 Stainless 316L	7300-165	1132993
D420 Stainless 316L	7300-166	1132994

Welding Cantilever (Page 36)

Material	Item no.	E-number
D120 Stainless 316L	7300-167	1132995
D220 Stainless 316L	7300-168	1132996
D320 Stainless 316L	7300-169	1132997
D420 Stainless 316L	7300-170	1132998

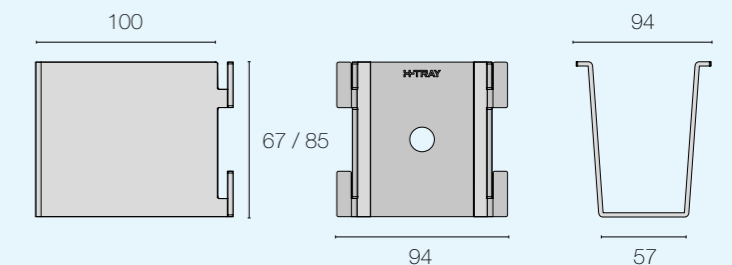
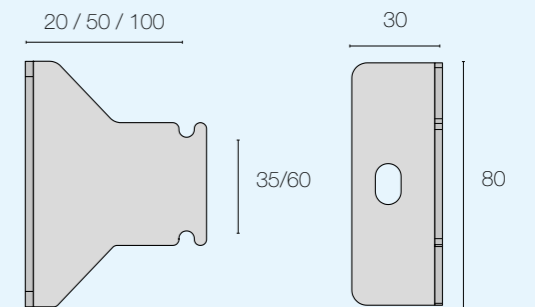
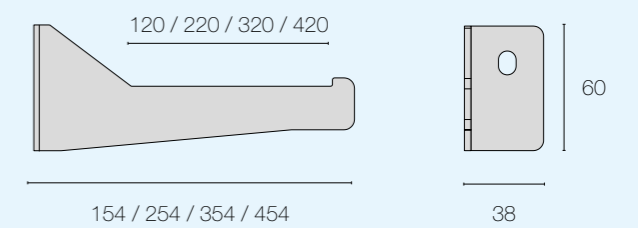
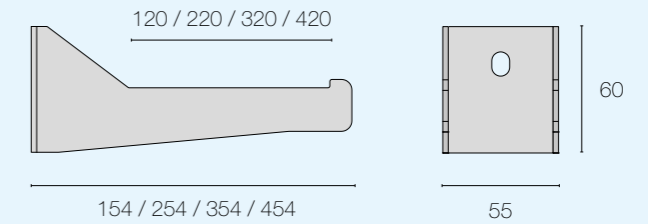
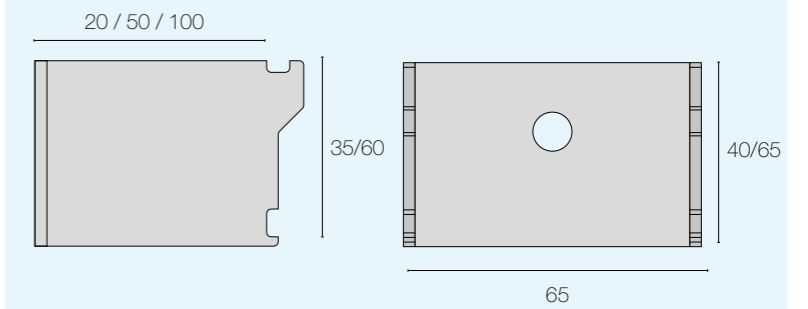
Bracket (Page 37)

Material	Item no.	E-number
H35 D20 Stainless 316L	7300-159	1132985
H60 D20 Stainless 316L	7300-160	1132988
H35 D50 Stainless 316L	7300-161	1132986
H60 D50 Stainless 316L	7300-162	1132989
H35 D100 Stainless 316L	7300-115	1132987
H60 D100 Stainless 316L	7300-117	1132990

Bracket X10 (Page 37)

Material	Item no.	E-number
H60 D100 Stainless 304L	7400-104	1133609
H35 D100 Stainless 304L	7400-109	1133610

MOUNTING - HYGIENIC



MOUNTING - HYGIENIC



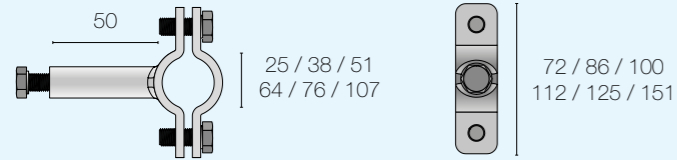
All measures are in mm.
For more information about coatings,
see page 3.

All accessories are sold by the unit, as well as in bags or cartons.
(unless otherwise stated)

Pipe Clamp (Page 37)

Material	Item no.	E-number
Ø25 D50 Stainless 316L	7300-276	1133619
Ø38 D50 Stainless 316L	7300-277	1133620
Ø51 D50 Stainless 316L	7300-278	1133621
Ø64 D50 Stainless 316L	7300-279	1133622
Ø76 D50 Stainless 316L	7300-280	1133623
Ø107 D50 Stainless 316L	7300-281	1133624

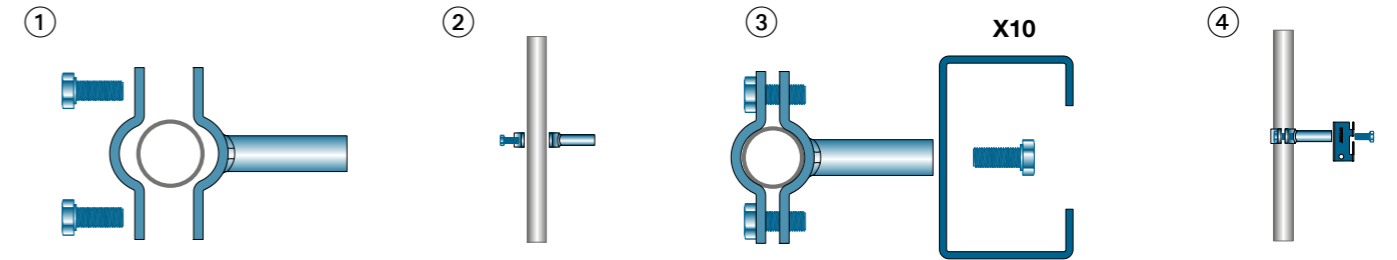
With hygienic Material that is specially adapted for the foodindustry.



INSTALLATION PIPE CLAMPS

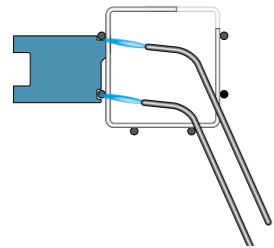


7300-276/277/278/279/280/281

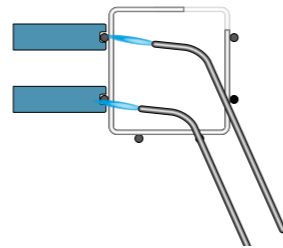


INSTALLATION WELDING BRACKETS

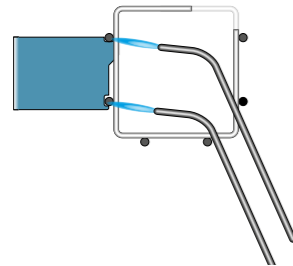
7300-097/098/141/142/143/144



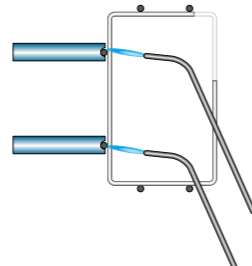
7300-110/145/146



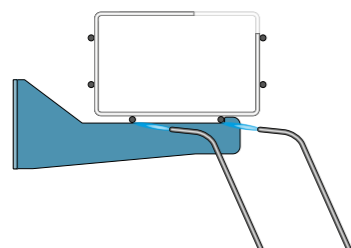
7300-147/148/150/151/153/154



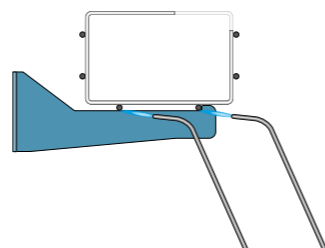
7300-156/157/158



7300-163/164/165/166



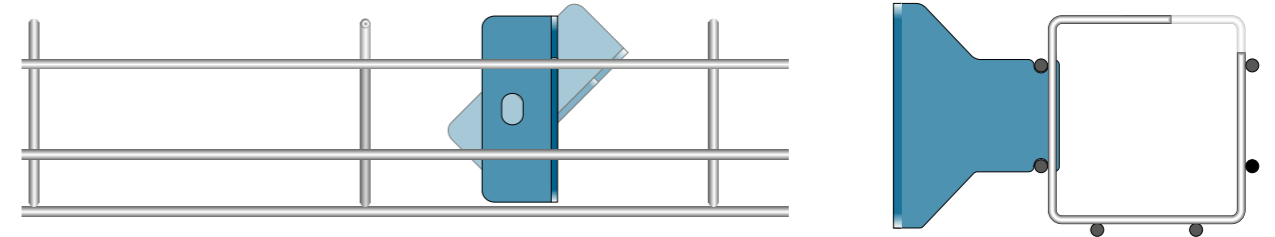
7300-167/168/169/170



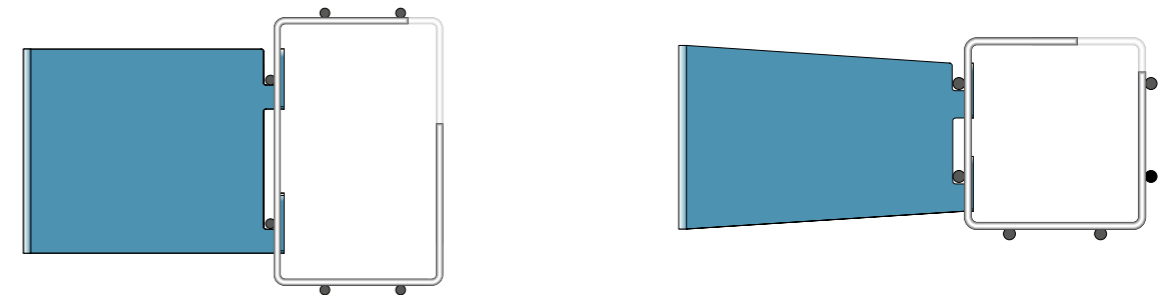
INSTALLATION BRACKETS



7300-115/117/159/160/161/162

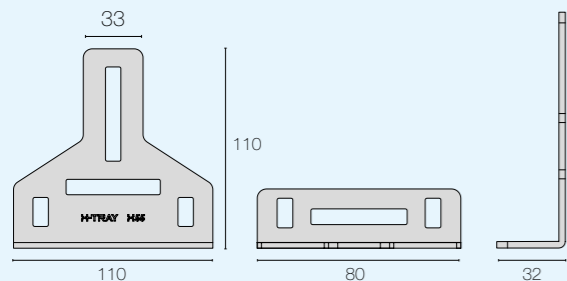
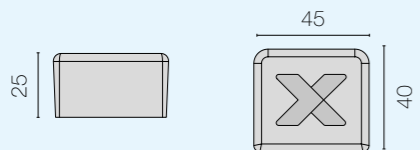
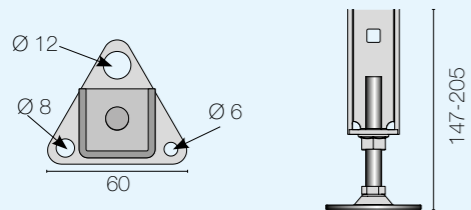
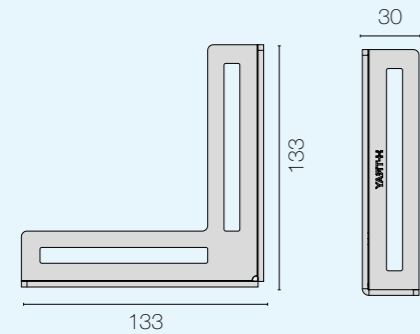
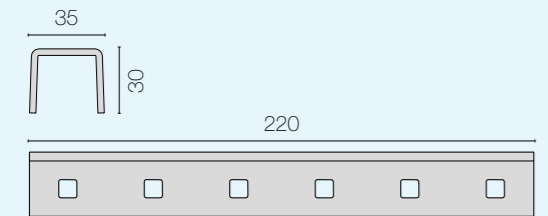


7300-104/109



Hygiene

X-RACK



All accessories are sold by the unit, as well as in bags or cartons.
(unless otherwise stated)

X50 U-Bar 400-3000 mm (Page 57)

Material	Item no.	E-number	Length:
Zinc Plated Fzb	2150-400	1133239	400
Zinc Plated Fzb	2150-520	1133240	520
Zinc Plated Fzb	2150-600	1133241	600
Zinc Plated Fzb	2150-720	1133242	720
Zinc Plated Fzb	2150-800	1133243	800
Zinc Plated Fzb	2150-920	1133244	920
Zinc Plated Fzb	2150-1000	1133245	1000
Zinc Plated Fzb	2150-1920	1133246	1920*
Zinc Plated Fzb	2150-2120	1133247	2120*
Zinc Plated Fzb	2150-2480	1133248	2480*
Zinc Plated Fzb	2150-3000	1133249	3000*

* 72 pcs / pallet

X51 U-Bar Joining Fitting (Page 58)

Material	Item no.	E-number	Bag	Carton
Zinc Plated Fzb	2151	1133250	8	16

Used to extend threaded U-bars.

X52 U-Bar Corner Fitting (Page 58-59)

Material	Item no.	E-number	Bag	Carton
Zinc Plated Fzb	2152	1133251	8	32

Used when installing U-bars.

X53 U-Bar Adjustable Foot (Page 59)

Material	Item no.	E-number	Bag	Carton
Zinc Plated Fzb	2153	1133252	8	16

The adjustable foot is used to compensate for the difference in height on uneven floors.

X54 U-Bar End Cap

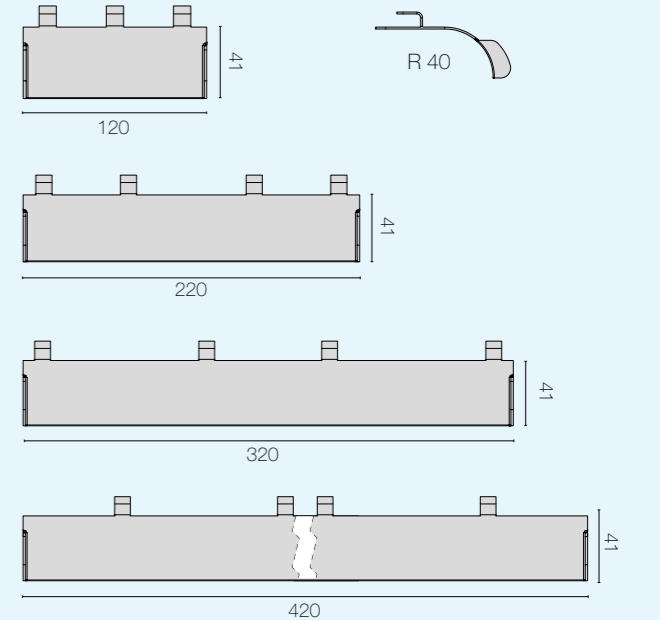
Material	Item no.	E-number	Bag	Carton
Black plastic	2554	1133369	10	80

Safety guard for X-bar ends.

X55 U-Bar Angle Fitting (Page 59)

Material	Item no.	E-number	Carton
Zinc Plated Fzb	2155	1132916	30

X-RACK



All accessories are sold by the unit, as well as in bags or cartons.
(unless otherwise stated)

X60 Radius Limiter 120 (Page 64)

Material	Item no.	E-number	Carton
Zinc Plated Fzb	2160-120	1133253	8

X60 Radius Limiter 220 (Page 64)

Material	Item no.	E-number	Carton
Zinc Plated Fzb	2160-220	1133254	8

X60 Radius Limiter 320 (Page 64)

Material	Item no.	E-number	Carton
Zinc Plated Fzb	2160-320	1133255	8

X60 Radius Limiter 420 (Page 64)

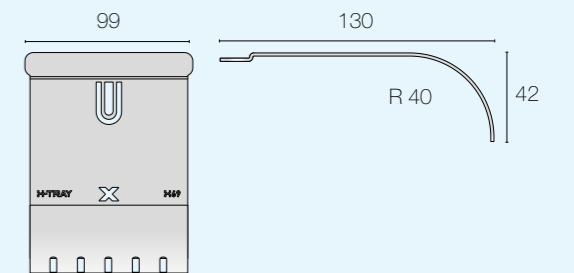
Material	Item no.	E-number	Carton
Zinc Plated Fzb	2160-420	1133256	8

Reduces bending radius for sensitive cables.
Can be combined for greater width.

X69 Side Radius Limiter (Page 65)

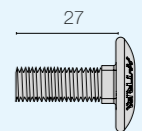
Material	Item no.	E-number	Carton
Zinc Plated Fzb	2169	1132932	10

Reduces bending radius for sensitive cables.



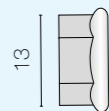
X61 Carriage Bolt M8x27, 40 pack (Page 42-43)

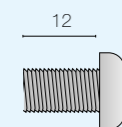
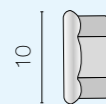
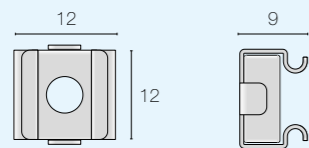
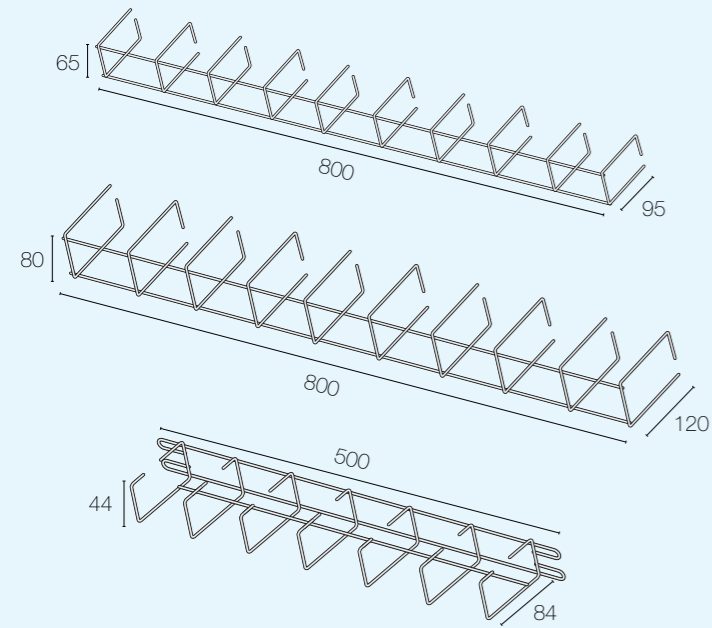
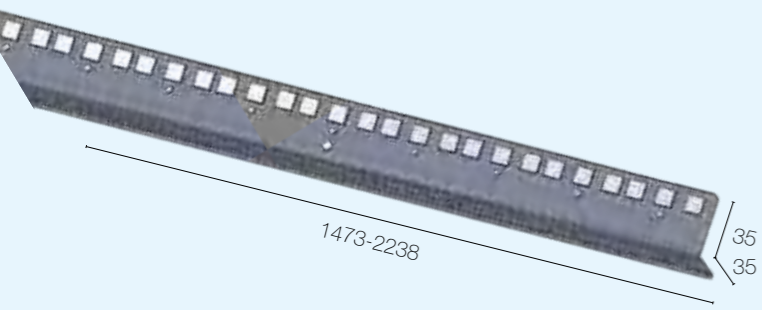
Material	Item No.	E-number	Bag	Carton
Zinc Plated Fzb	2161	1133257	1	10



X62 Distance Nut M8, 40 pack (Page 42-43)

Material	Item No.	E-number	Bag	Carton
Zinc Plated Fzb	2162	1133258	1	10





All accessories are sold by the unit, as well as in bags or cartons.
(unless otherwise stated)

Mounting Profile 1876 mm 42U incl. bolts & nuts

Material	Item no.	E-number
Zinc Plated Fzb	7100-050	1133492

Mounting Profile 2060 mm 46U incl. bolts & nuts

Material	Item no.	E-number
Zinc Plated Fzb	7100-051	1133493

Mounting Profile 2238 mm 50U incl. bolts & nuts

Material	Item no.	E-number
Zinc Plated Fzb	7100-058	1133499

Mounting Profile 1473 mm incl. bolts & nuts

Material	Item no.	E-number
Zinc Plated Fzb	7100-198	1132957

For battery rack.

Cable Duct Small 95x65x800 mm incl. mounting parts

Material	Item no.	E-number
Zinc Plated Fzb	7100-052	1133494

Cable Duct Large 120x80x800 mm incl. mounting parts

Material	Item no.	E-number
Zinc Plated Fzb	7100-250	1132953

Cable Duct 19" Horizontal incl. mounting parts

Material	Item no.	E-number
Zinc Plated Fzb	7100-054	1133495

Cage Nut M6

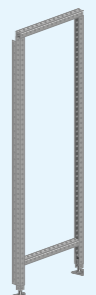
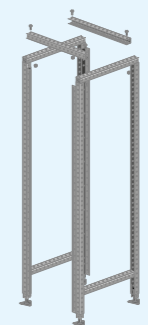
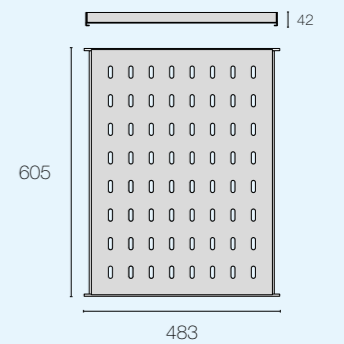
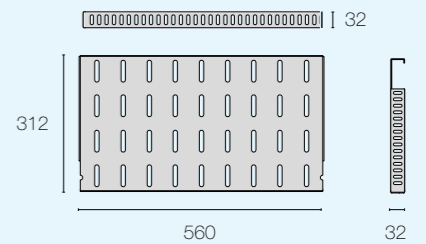
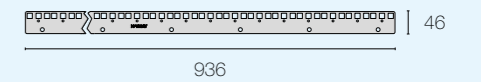
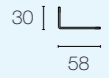
Material	Item no.	E-number
Zinc Plated Fzb	7100-055	1133496

Flange Nut M6

Material	Item no.	E-number
Zinc Plated Fzb	7100-056	1133497

Torx Screw M6x12

Material	Item no.	E-number
Zinc Plated Fzb	7100-057	1133498



All accessories are sold by the unit, as well as in bags or cartons.
(unless otherwise stated)

Mounting profile ETSI 1876 mm

Material	Item no.	E-number
Zinc Plated Fzb	7100-078	1133505

Mounting profile ETSI 2060 Fzb

Material	Item no.	E-number
Zinc Plated Fzb	7100-079	1133506

Adapter ETSI to 19"

Material	Item no.	E-number
Zinc Plated Fzb	7100-080	1133507

X-Rack Floor Plate 300 Fzb

Material	Item no.	E-number
Zinc Plated Fzb	7100-220	1132949

Requires 2 pcs for one X-Rack

X-Rack Shelf 600 Fzb

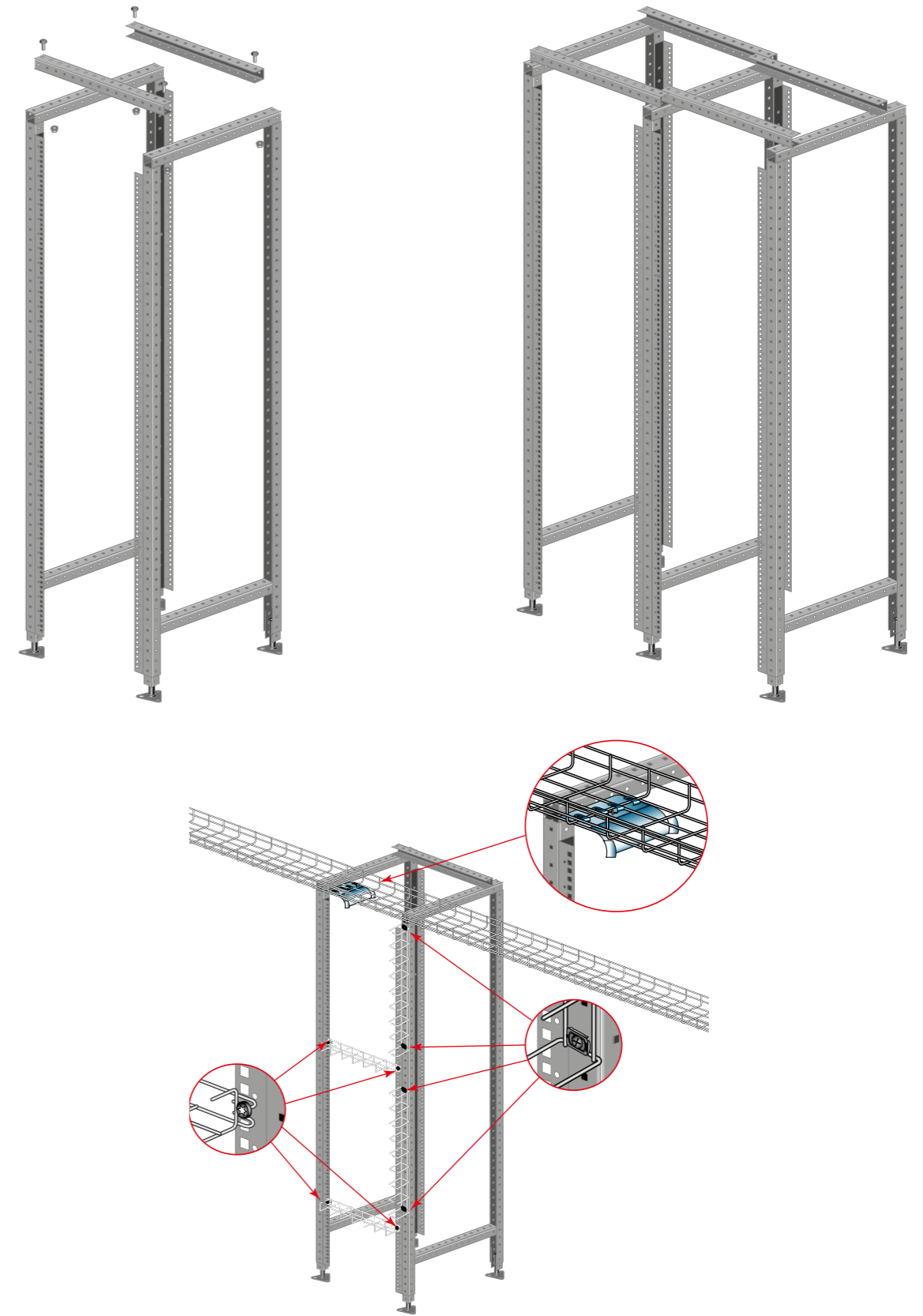
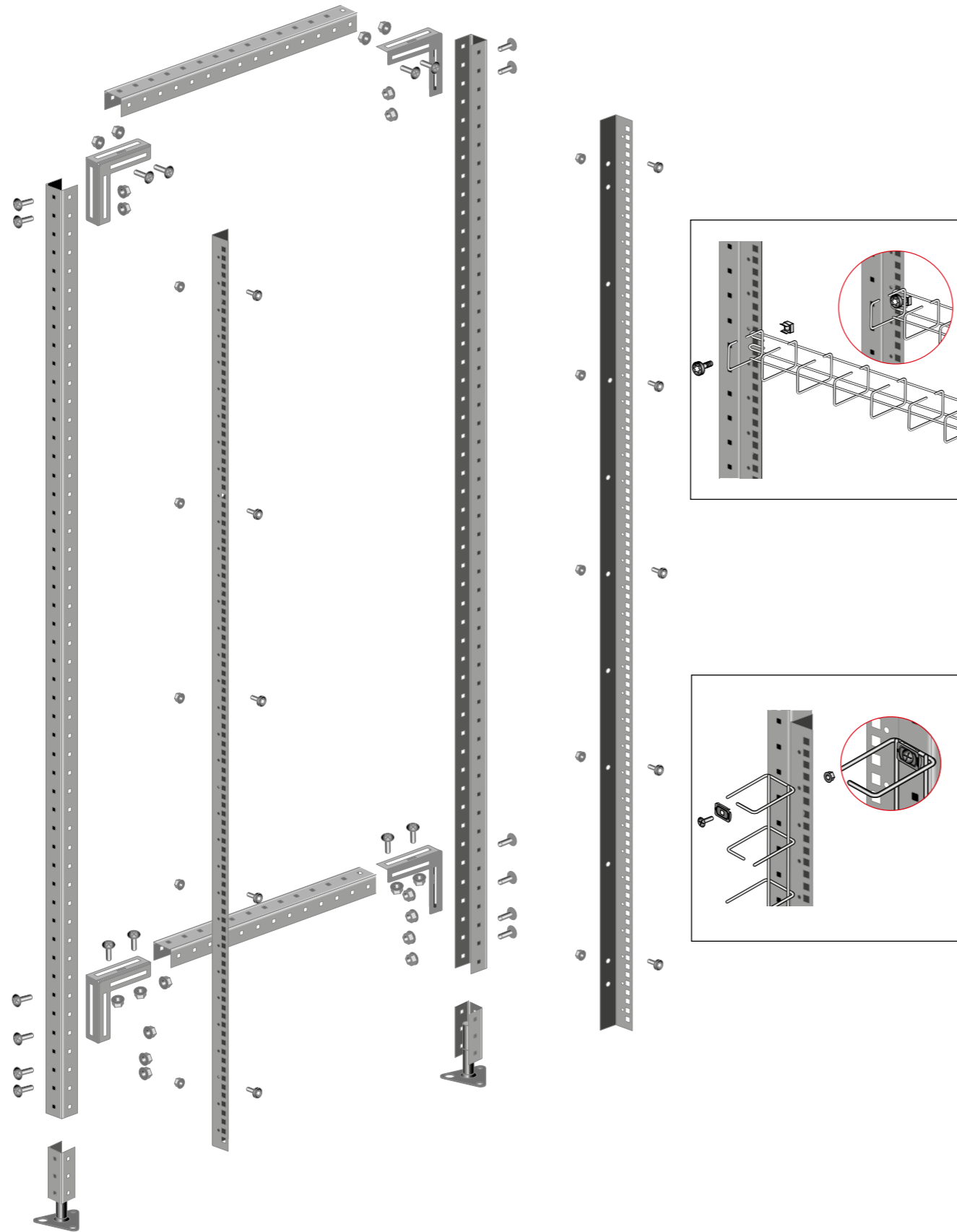
Material	Item no.	E-number
Zinc Plated Fzb	7100-221	1132951

X-Rack Kit (Page 43)

Material	Item no.	E-number
2000x600 Small cable duct - Zinc Plated Fzb	7100-200	1133514
2200x600 Small cable duct - Zinc Plated Fzb	7100-201	1133515
2000x600 Battery rack, small cable duct - Z.P Fzb	7100-202	1132947
2000x600 Large cable duct - Zinc Plated Fzb	7100-204	1132933
2200x600 Large cable duct - Zinc Plated Fzb	7100-205	1132946
2000x600 Battery rack, large cable duct - Z.P Fzb	7100-206	1132948

X-Rack Ready-assembled side (Page 42)

Material	Item no.	E-number
2000x600 Zinc Plated Fzb	7100-210	1133516
2200x600 Zinc Plated Fzb	7100-211	1133517

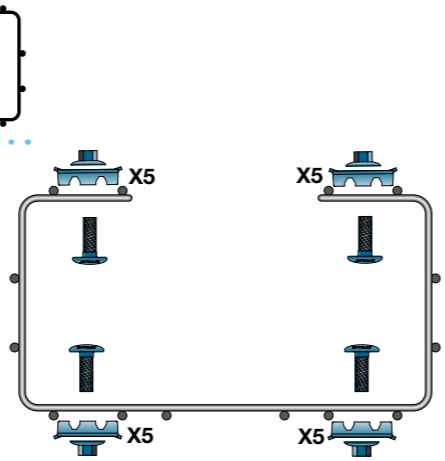
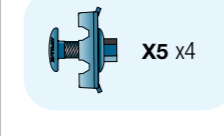
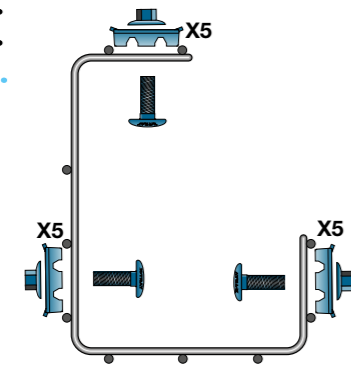
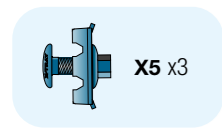
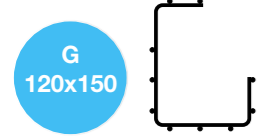
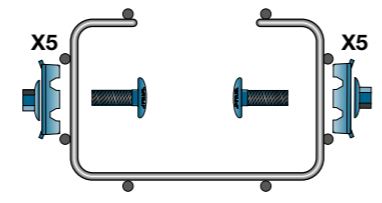
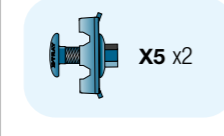
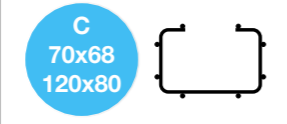
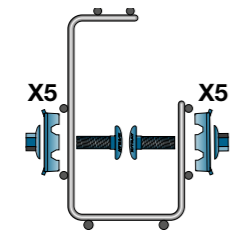
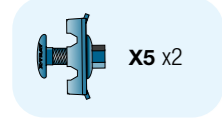
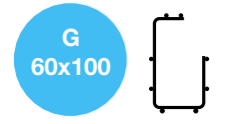
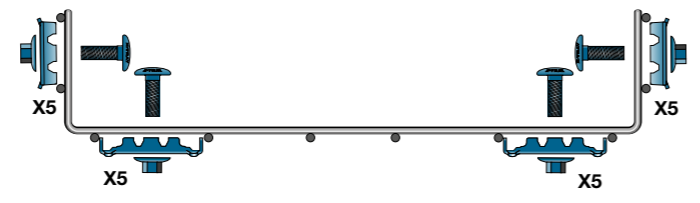
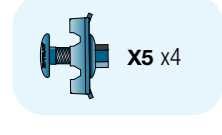
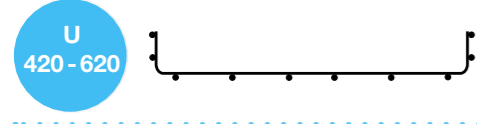
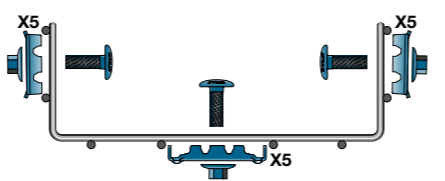
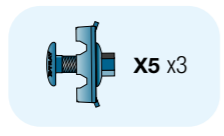
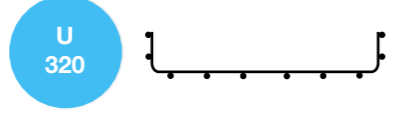
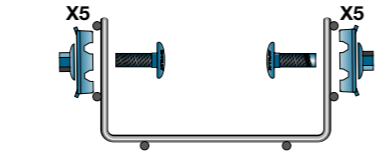
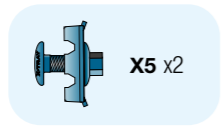
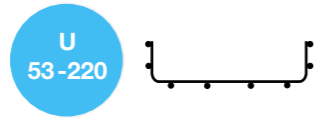
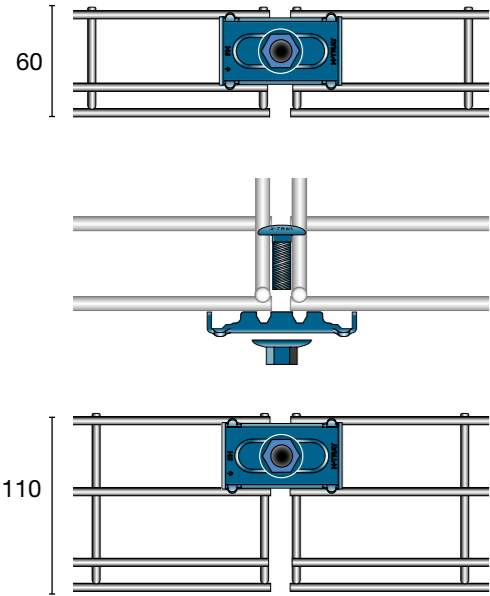




X5 JOINING

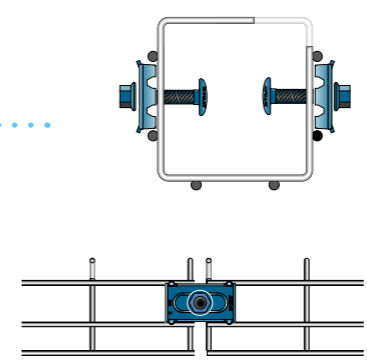
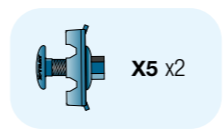
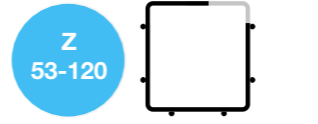
Used for X-Tray U-trays with 60 & 110 mm sides, as well as C & G.

INSTALLATION



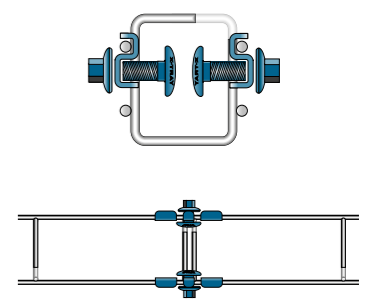
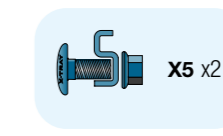
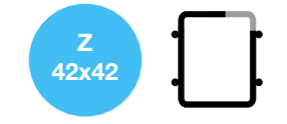
X5 JOINING

Used for X-Tray Z-trays 53-120 mm.



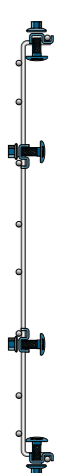
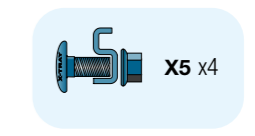
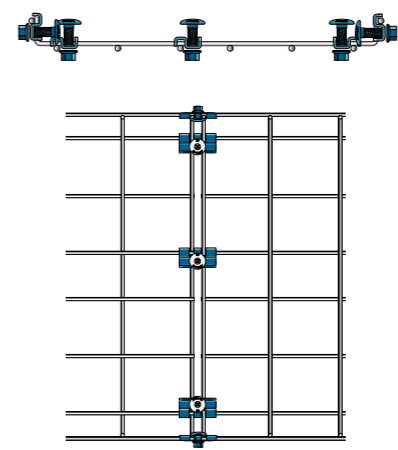
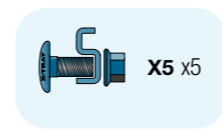
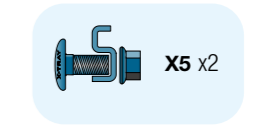
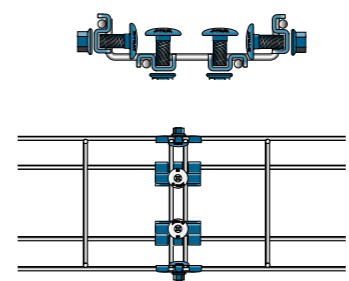
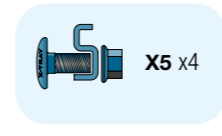
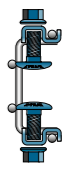
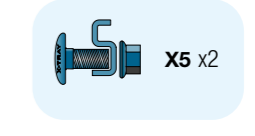
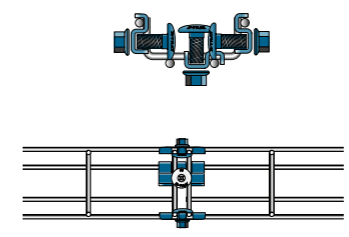
X5 MINI JOINING

Used for X-Tray Z-trays 42x42.



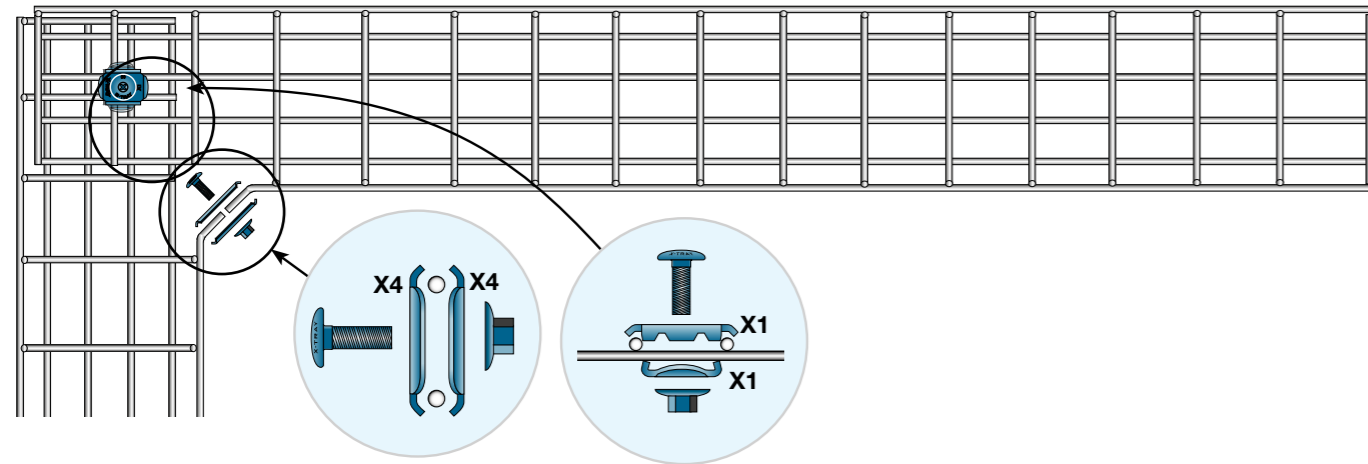
X5 MINI JOINING

Used for X-Tray U-trays with low side, 30 mm.

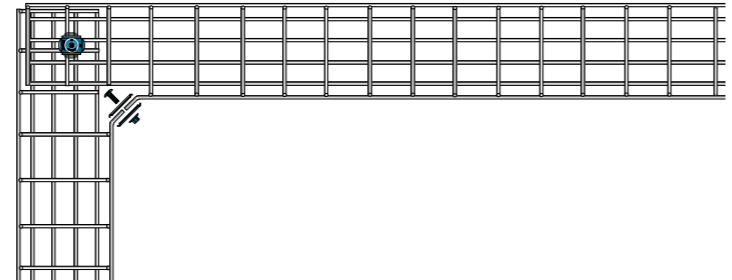
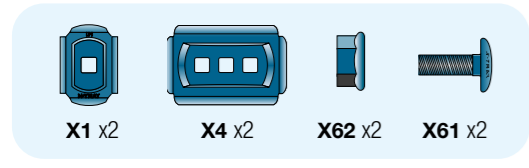




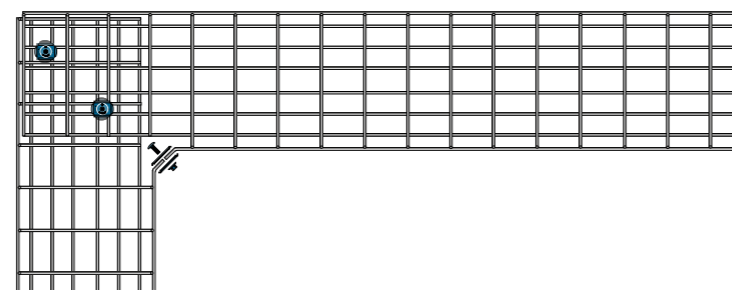
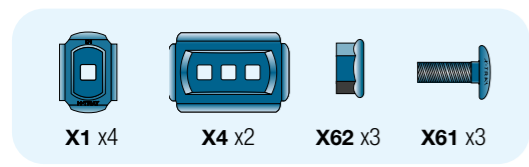
X1 & X4 CORNER



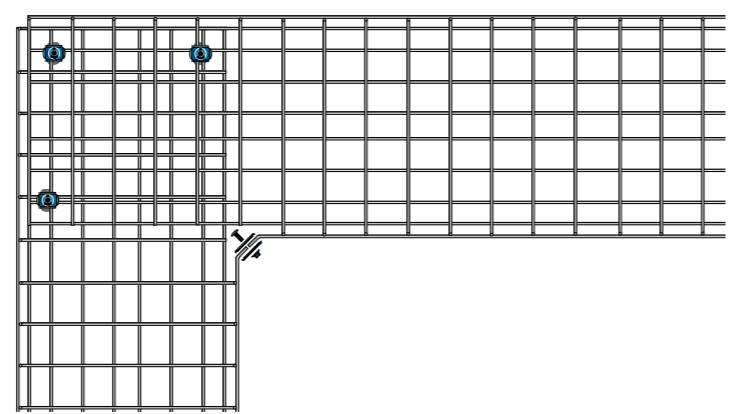
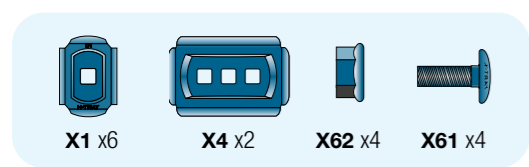
53-220



320-420



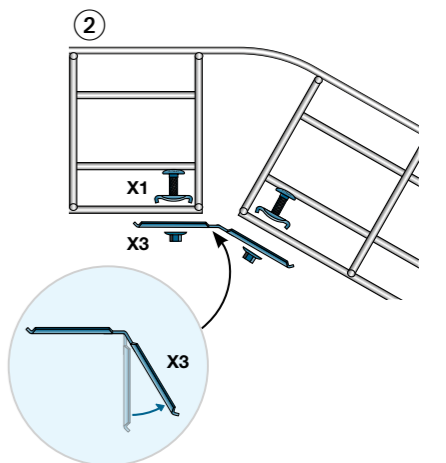
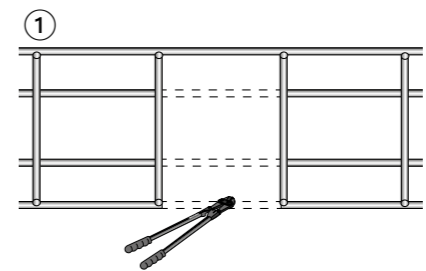
520-620



X3 & X1 ANGLE ADJUSTMENT

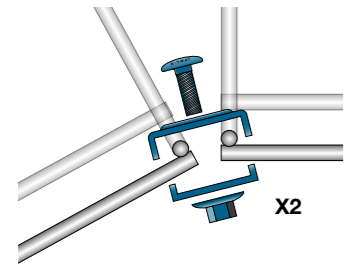


53-620



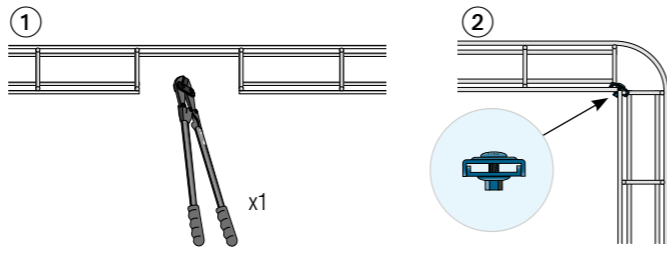


X2 RADIUS



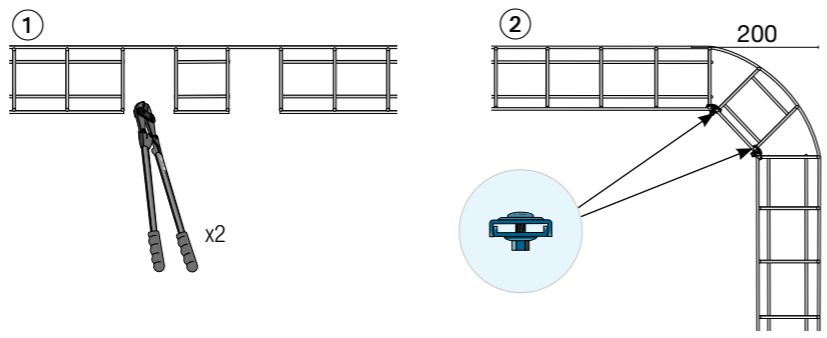
53-75

X2 x1



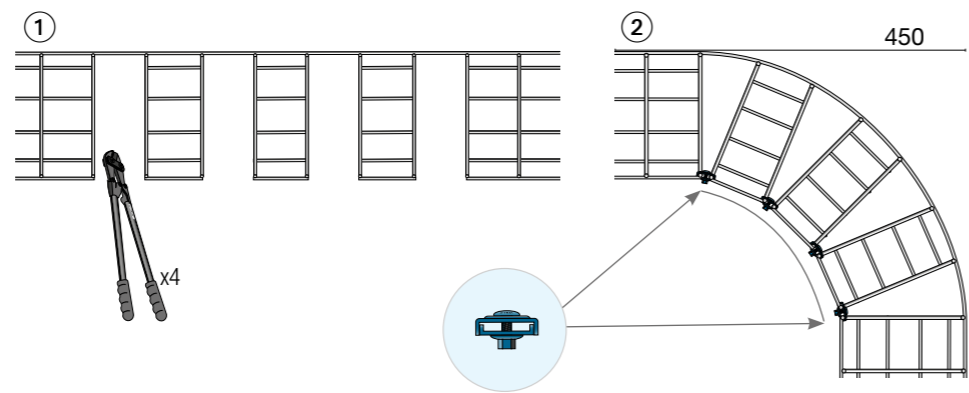
120

X2 x2



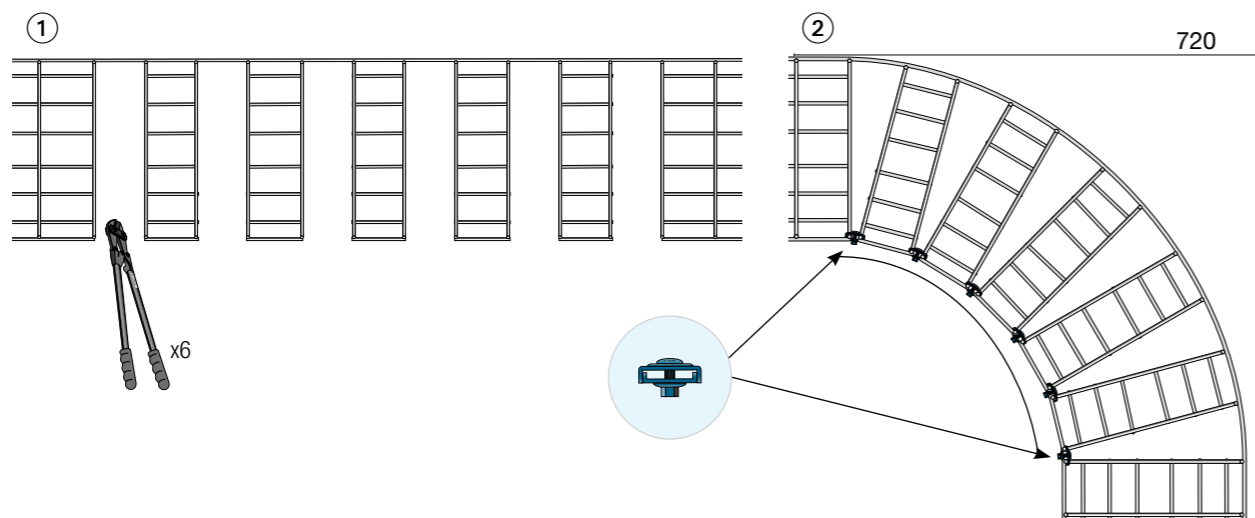
220

X2 x4



320

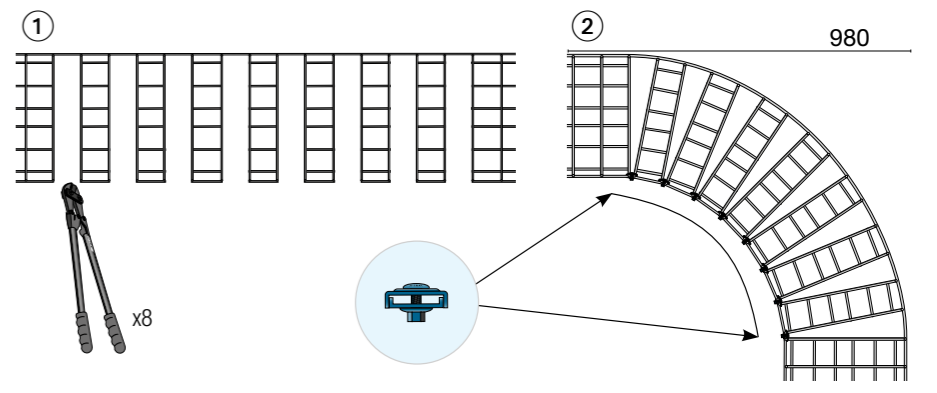
X2 x6



X2 RADIUS

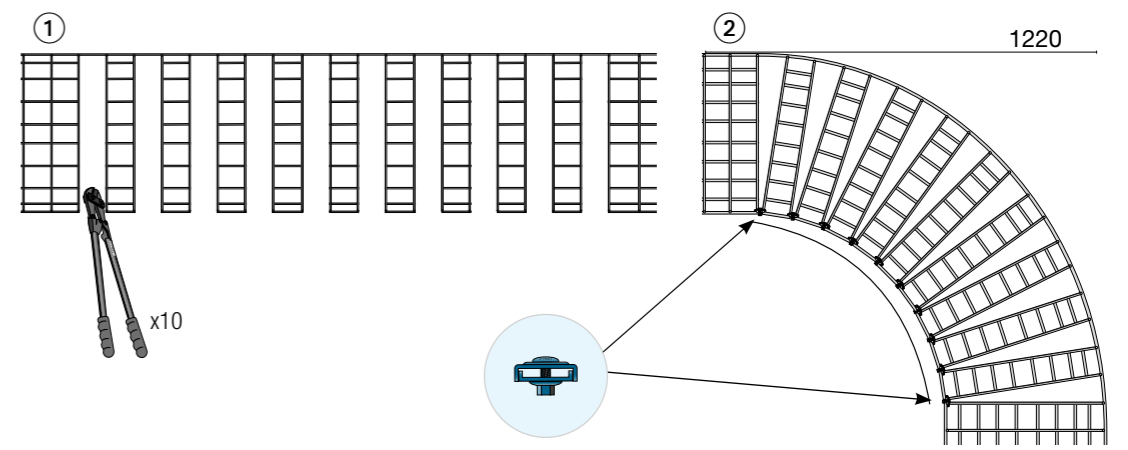
420

X2 x8



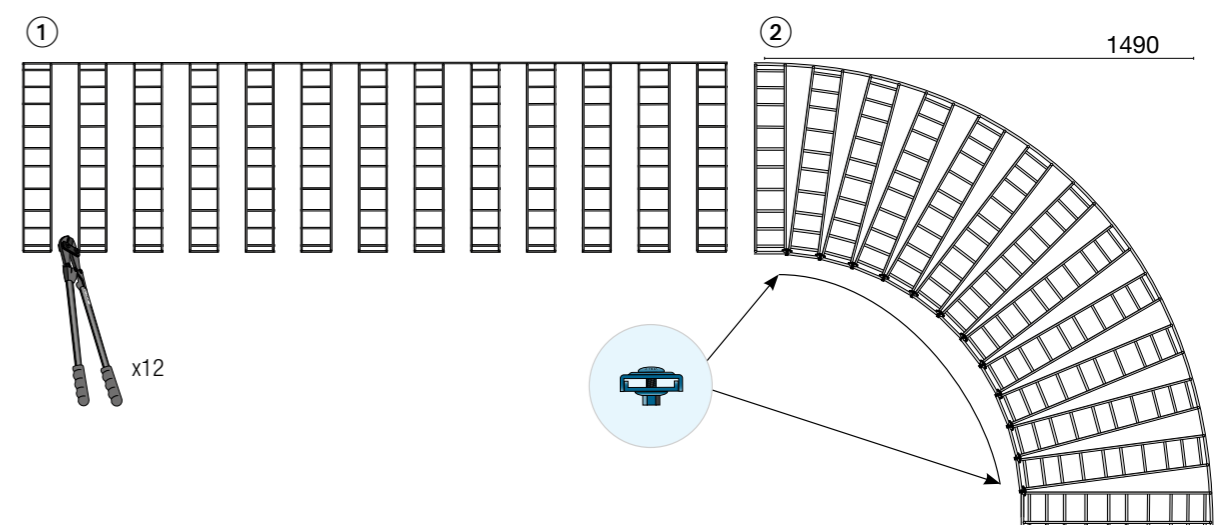
520

X2 x10



620

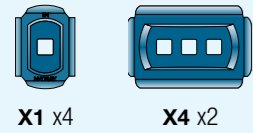
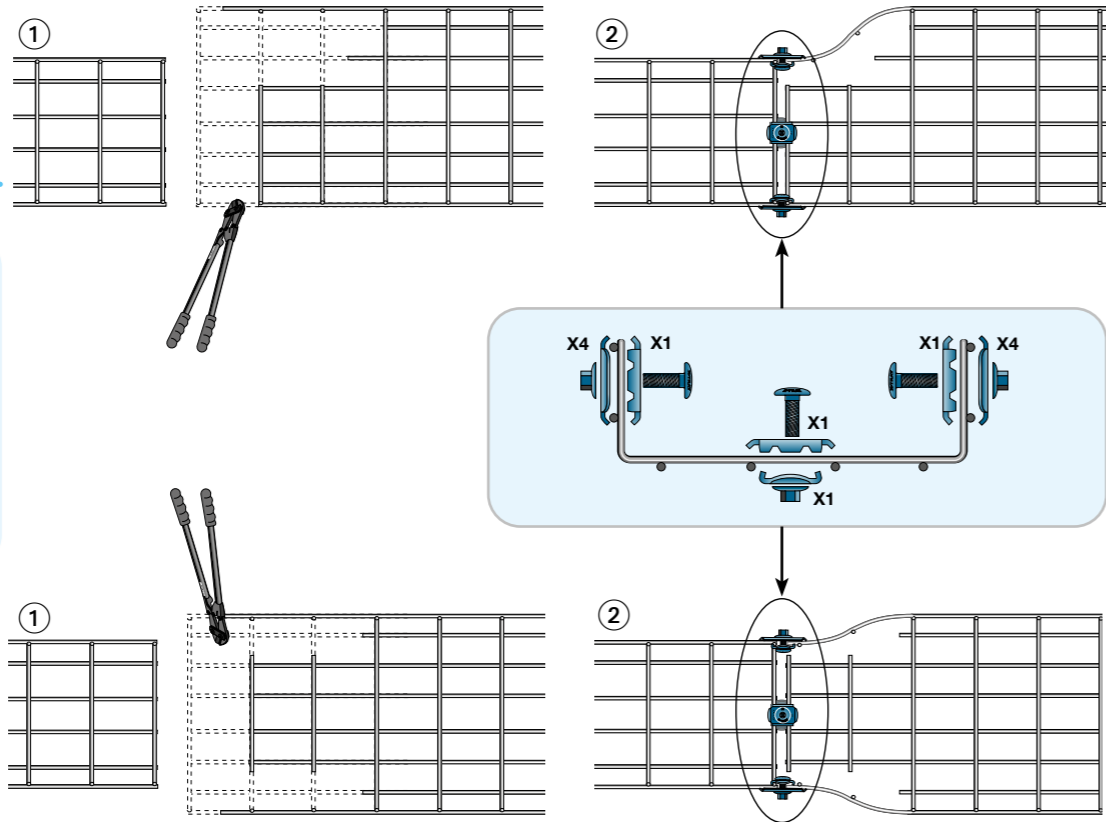
X2 x12



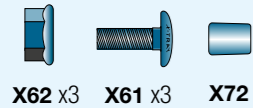


X1 & X4 REDUCTION

53-620



X1 x4 X4 x2

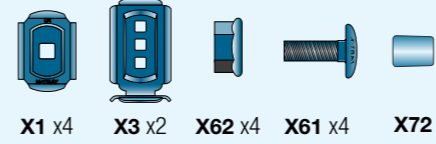
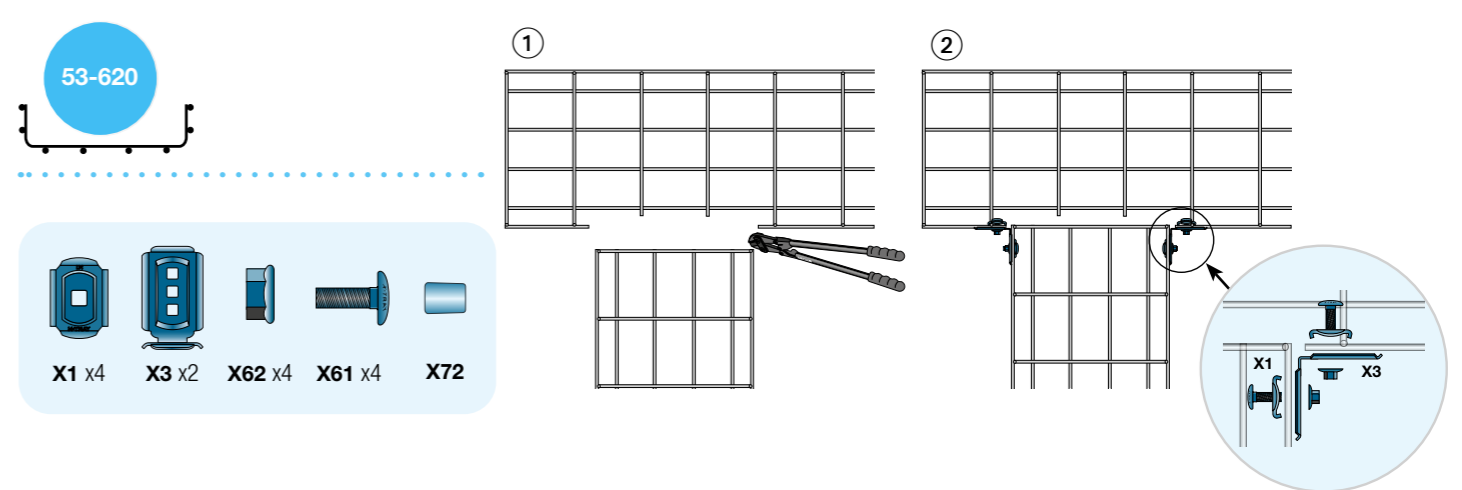


X62 x3 X61 x3 X72



X1 & X3 T-JUNCTION

53-620

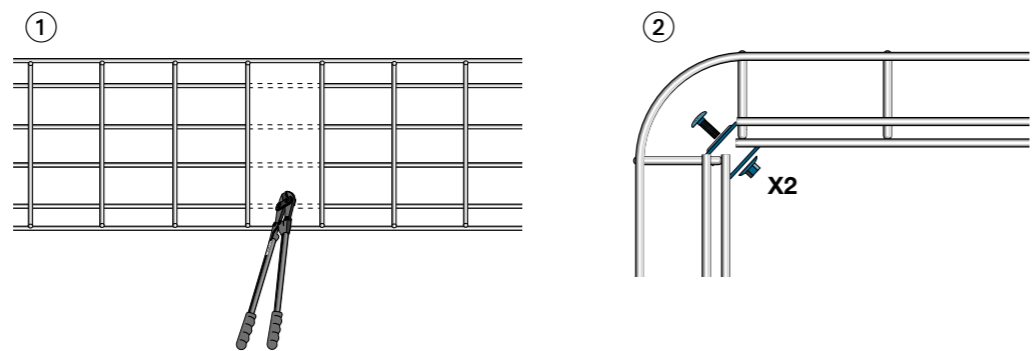


X1 x4 X3 x2 X62 x4 X61 x4 X72



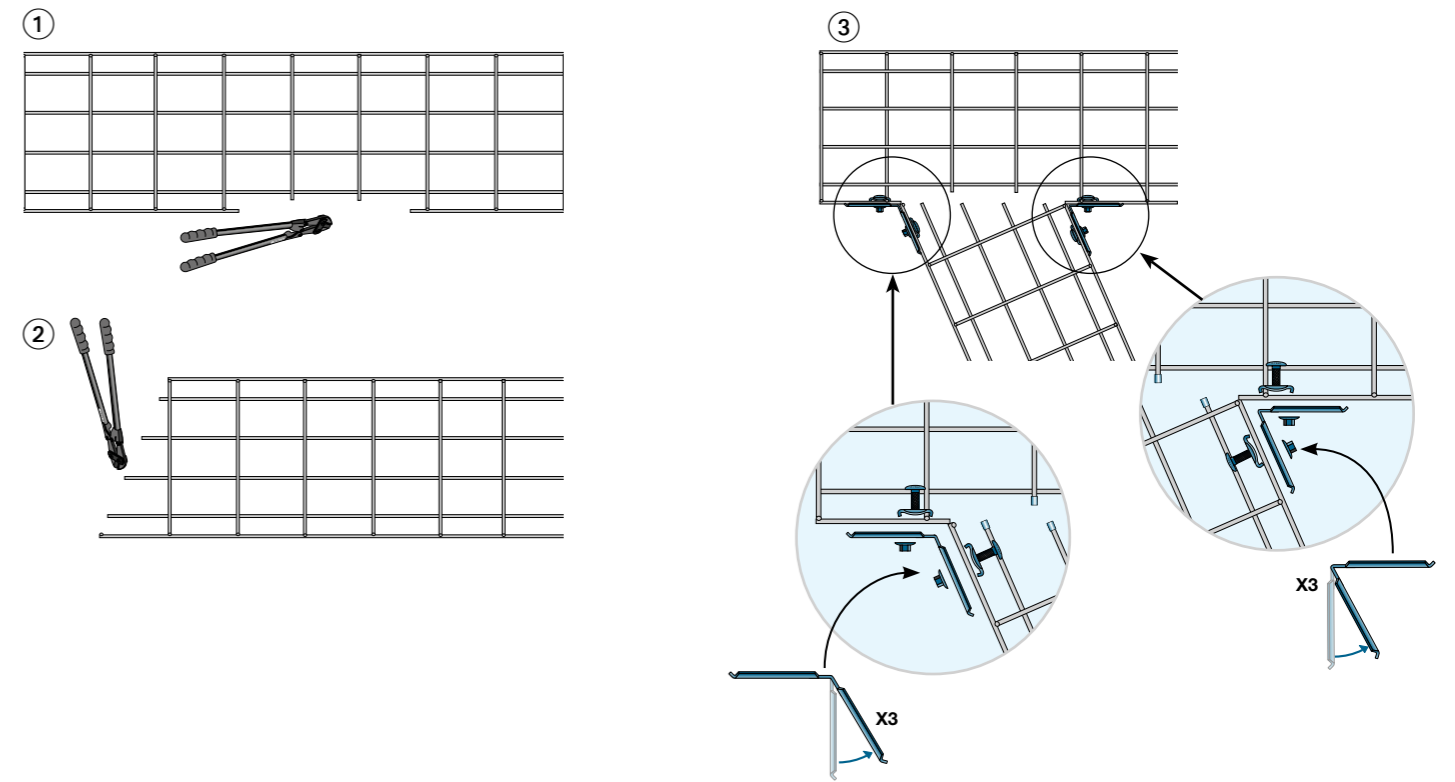
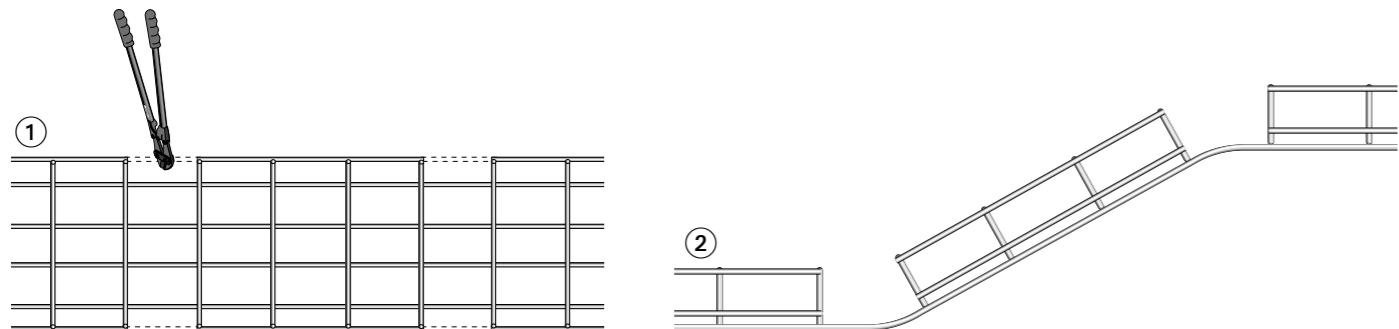
X2 ANGLE DOWN/UP

60-620



X2 x1

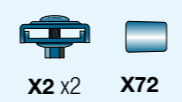
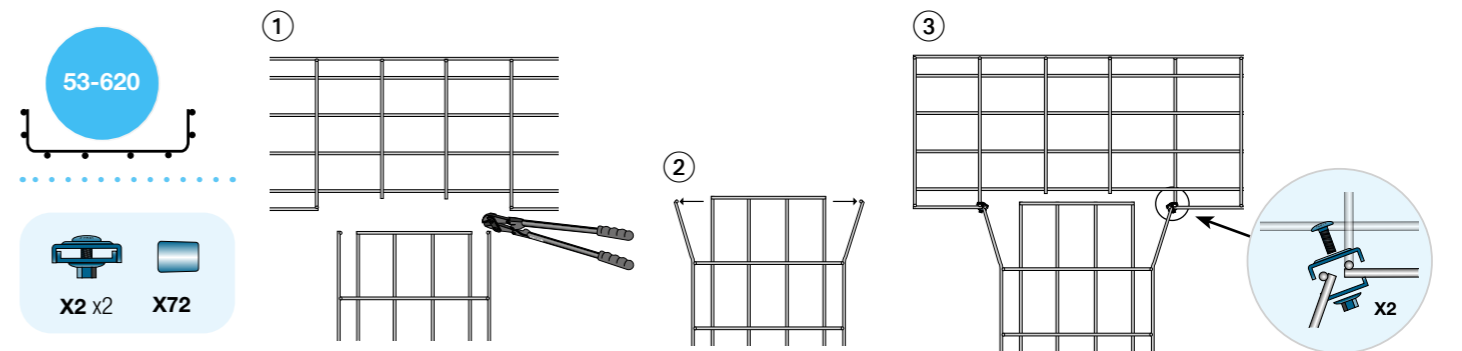
Without fittings



X2 T-JUNCTION



53-620

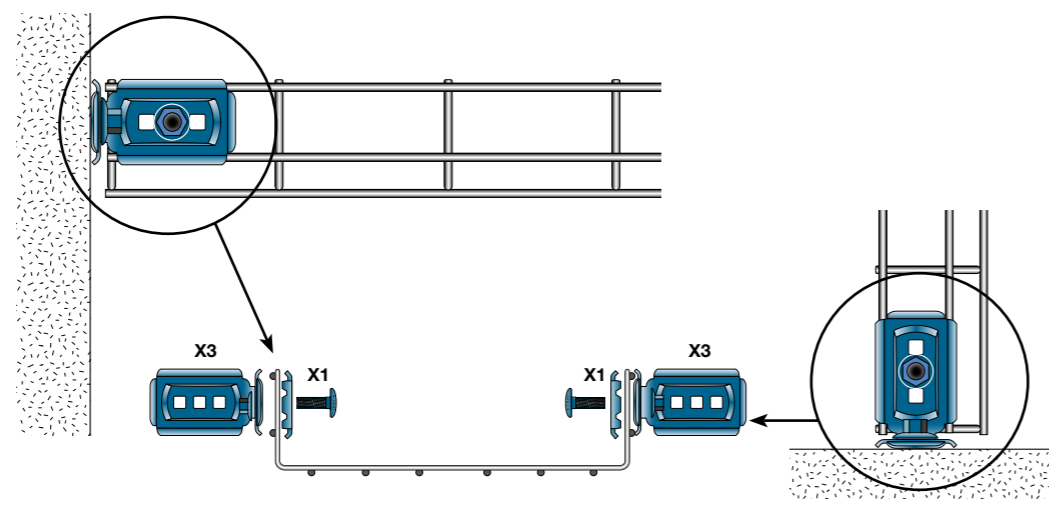
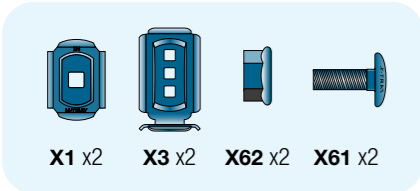


X2 x2 X72



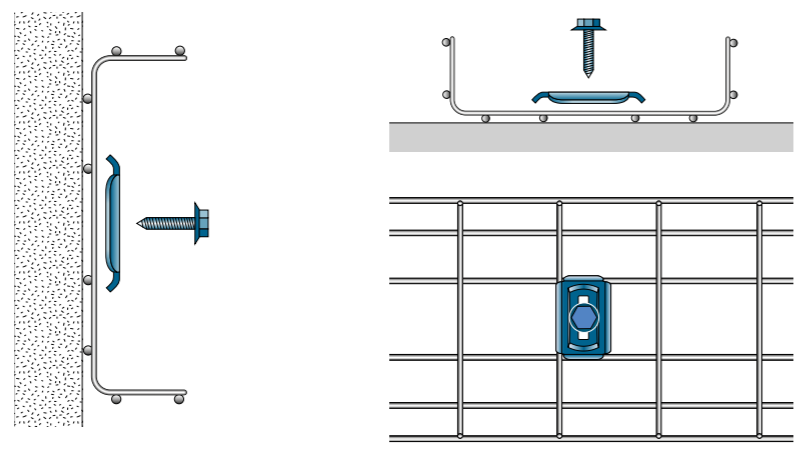
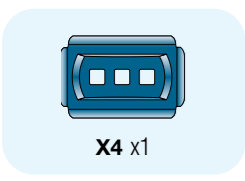
X3 & X1 MOUNTING

53-620



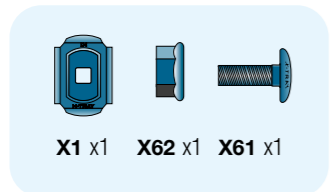
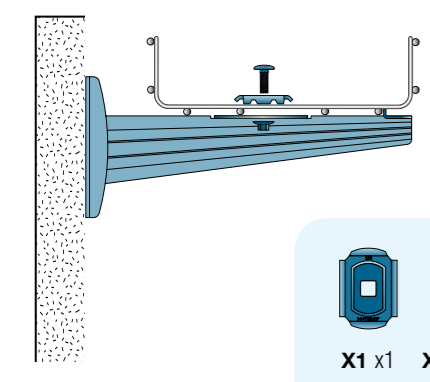
X4 MOUNTING

60-620

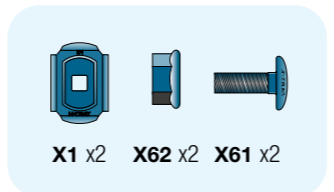
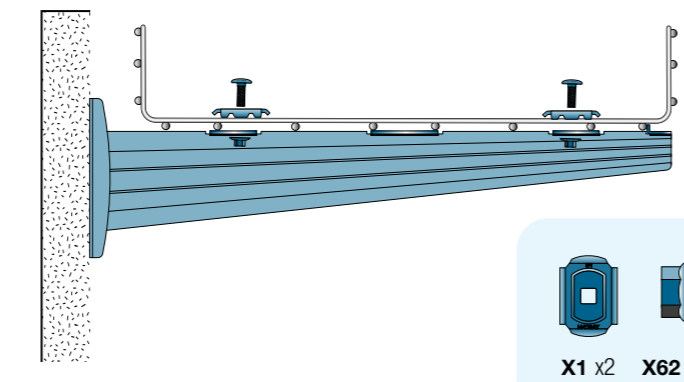


X15 MOUNTING

53-320



420-620

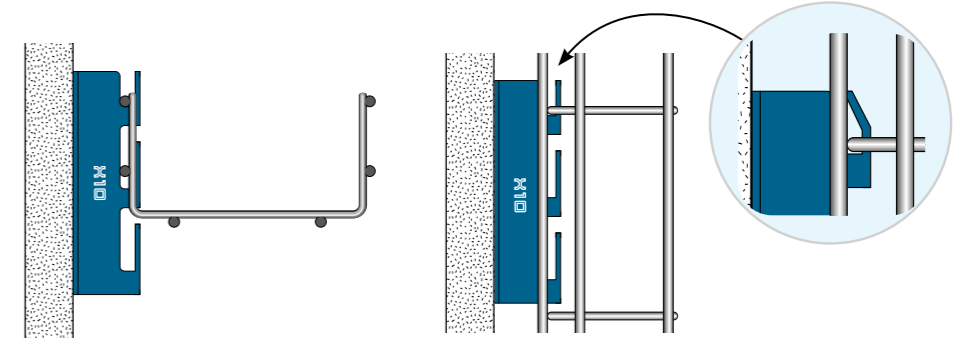


X10 MOUNTING

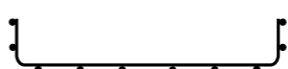
53-120



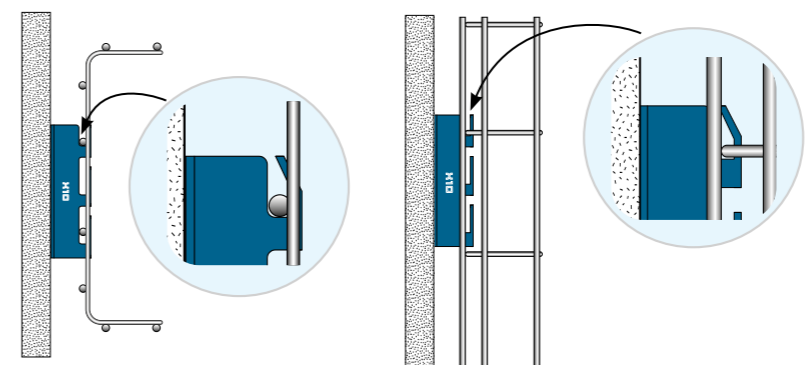
X10 Mini for 4 mm wire
X10 for 5 mm wire



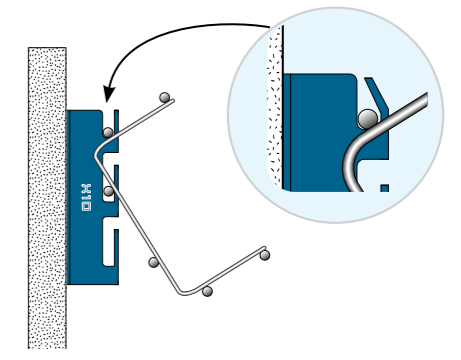
60-620



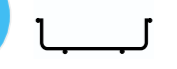
60-620



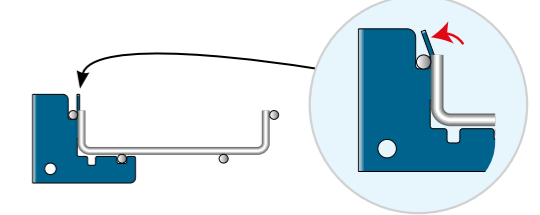
60-220



60-120



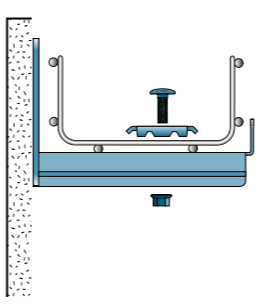
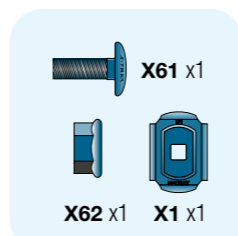
(For cable trays with 30 mm side.)



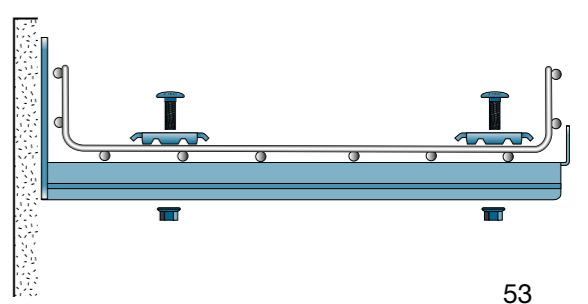
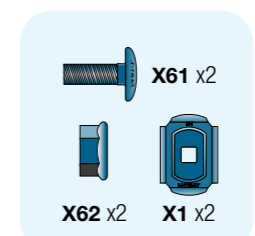
X19 MOUNTING



60-320

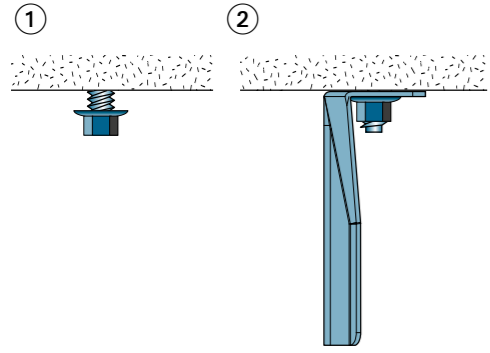


420-620

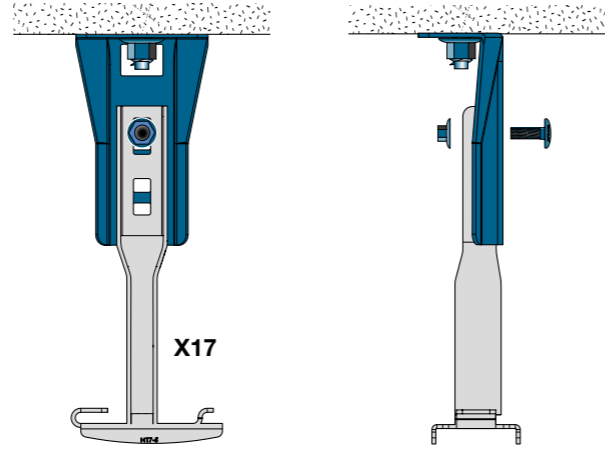




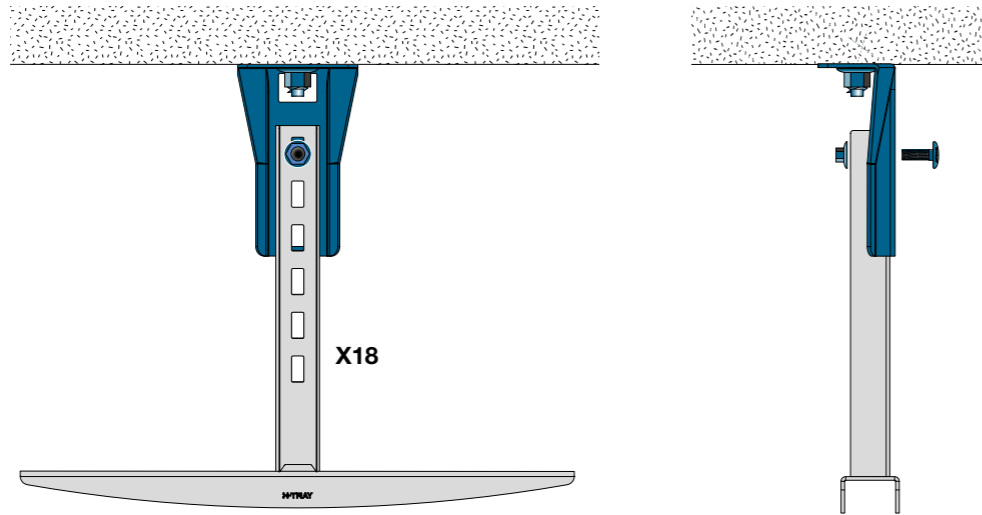
X14 MOUNTING



X62 x1 X61 x1

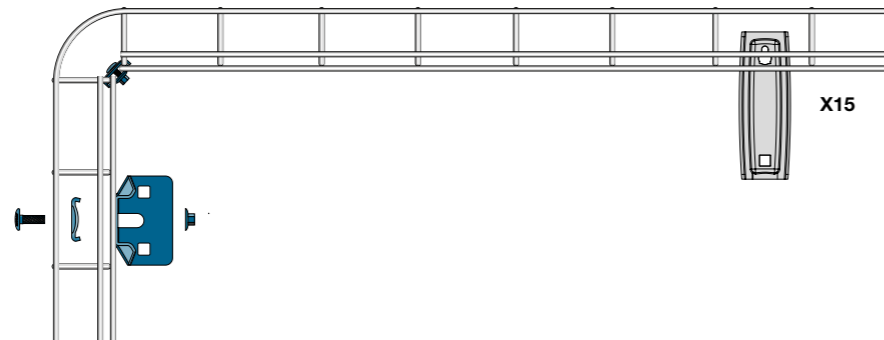


X62 x1 X61 x1



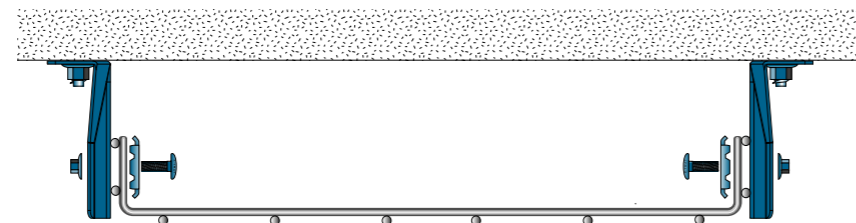
120-620

X1 x1 X62 x1 X61 x1



120-620

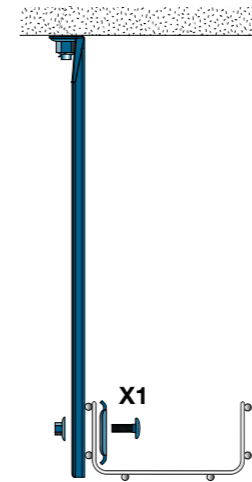
X1 x2 X62 x2 X61 x2



X14 MOUNTING

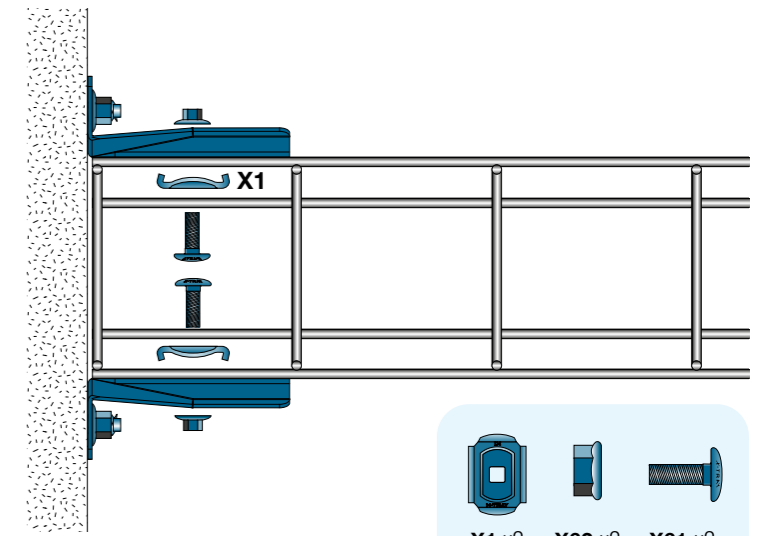
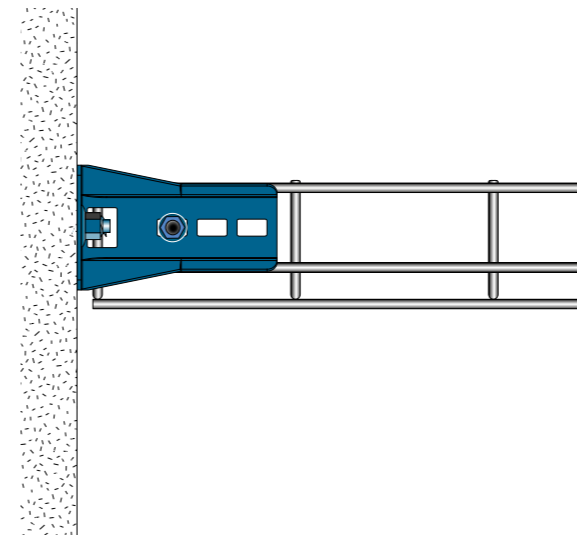
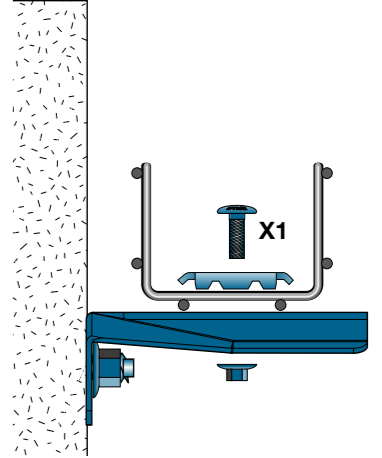
53-75

X1 x1
X62 x1 X61 x1



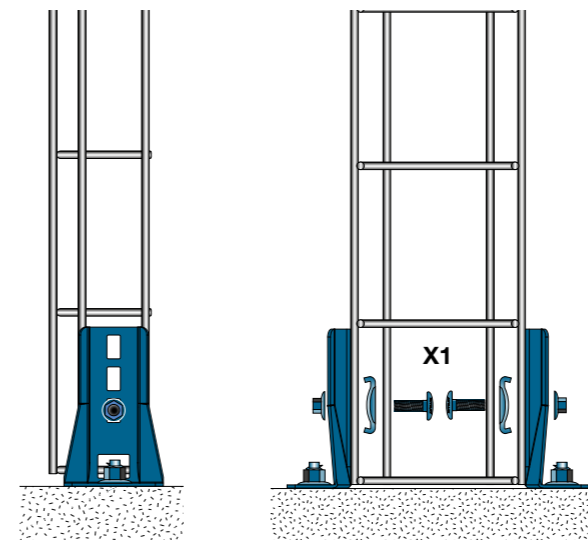
53-75

X1 x1 X62 x1 X61 x1

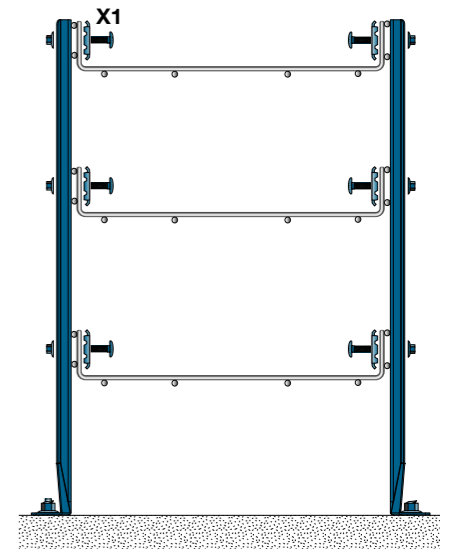


X1 x2 X62 x2 X61 x2

X1 x2 X62 x2 X61 x2

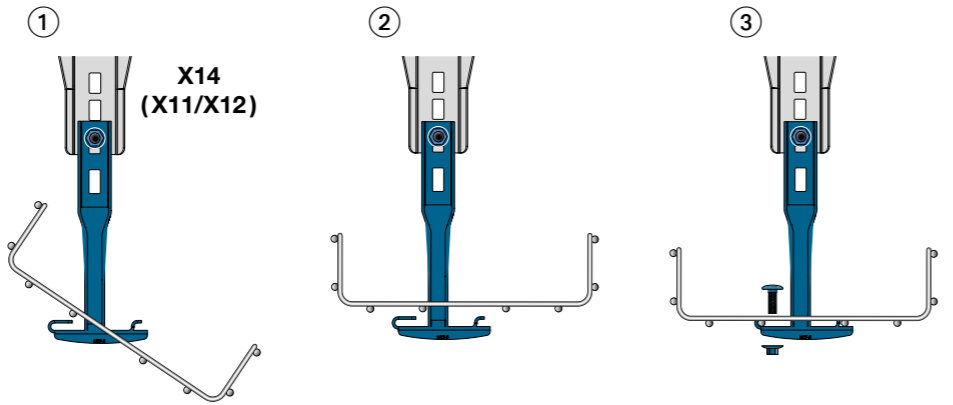
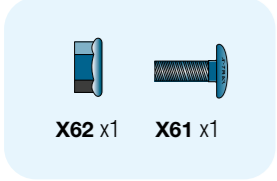
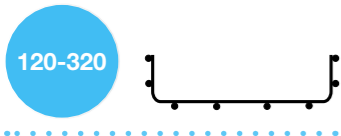


X1 x6 X62 x6 X61 x6

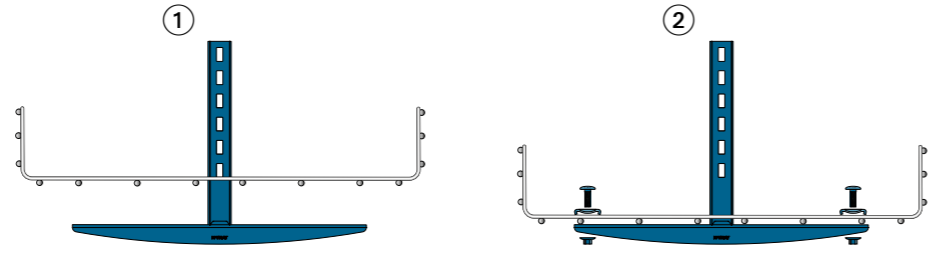
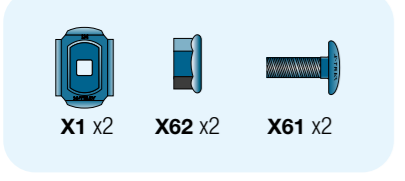
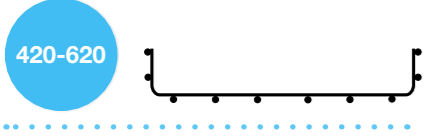




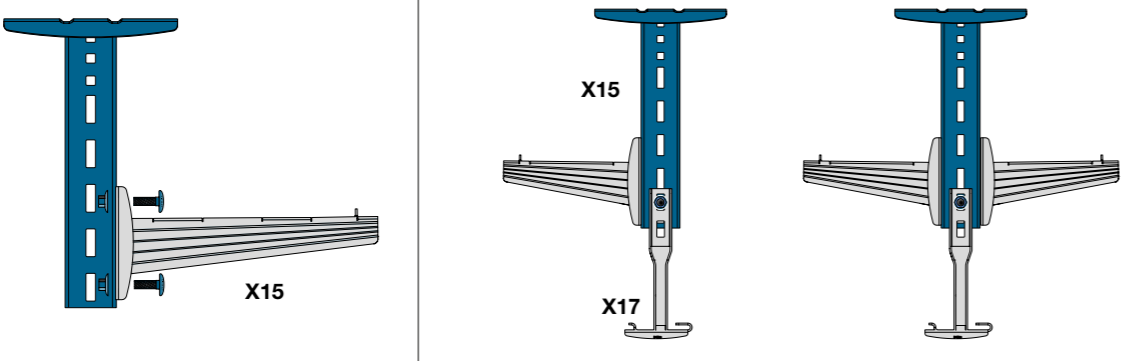
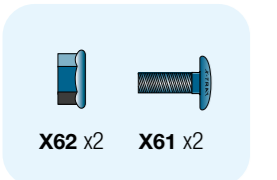
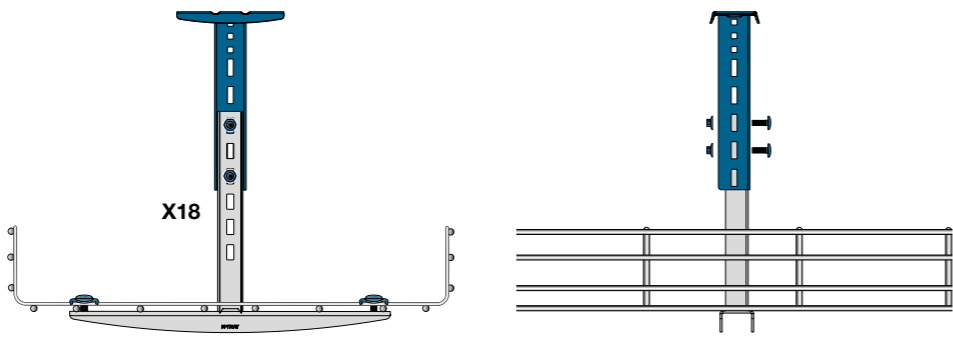
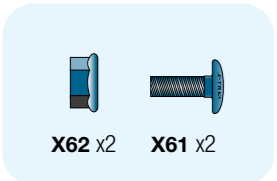
X17 MOUNTING



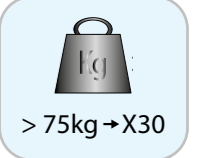
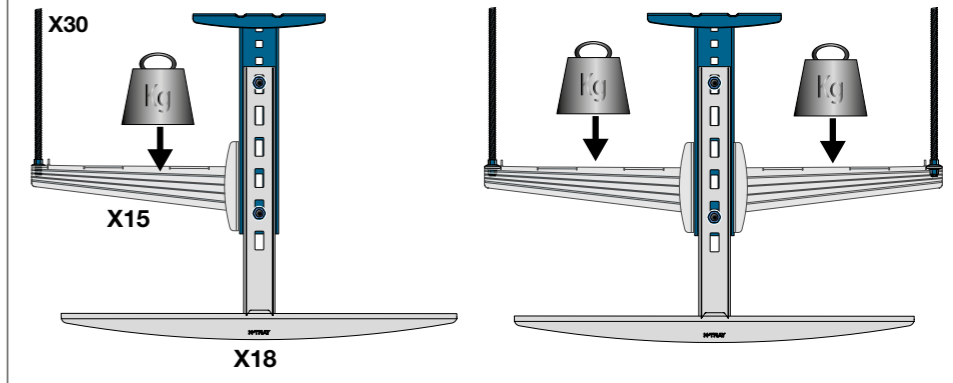
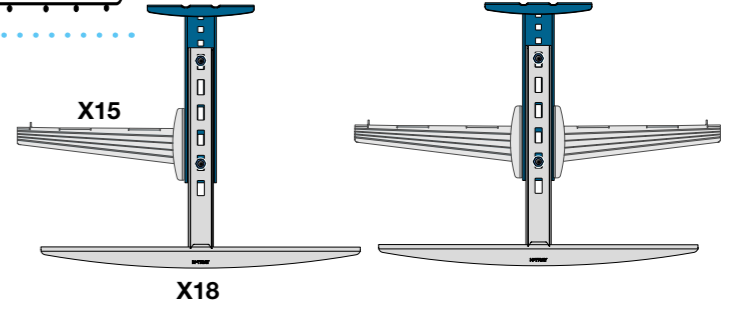
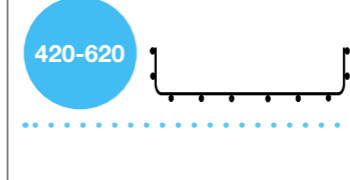
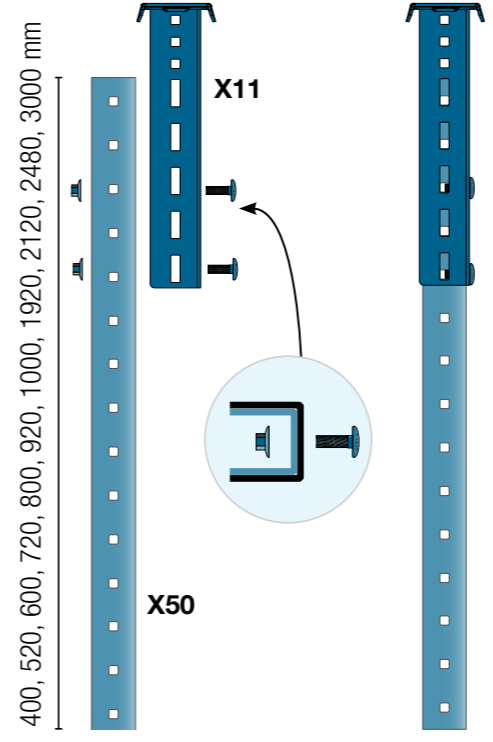
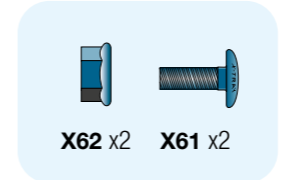
X18 MOUNTING



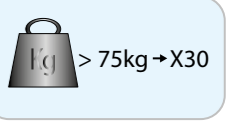
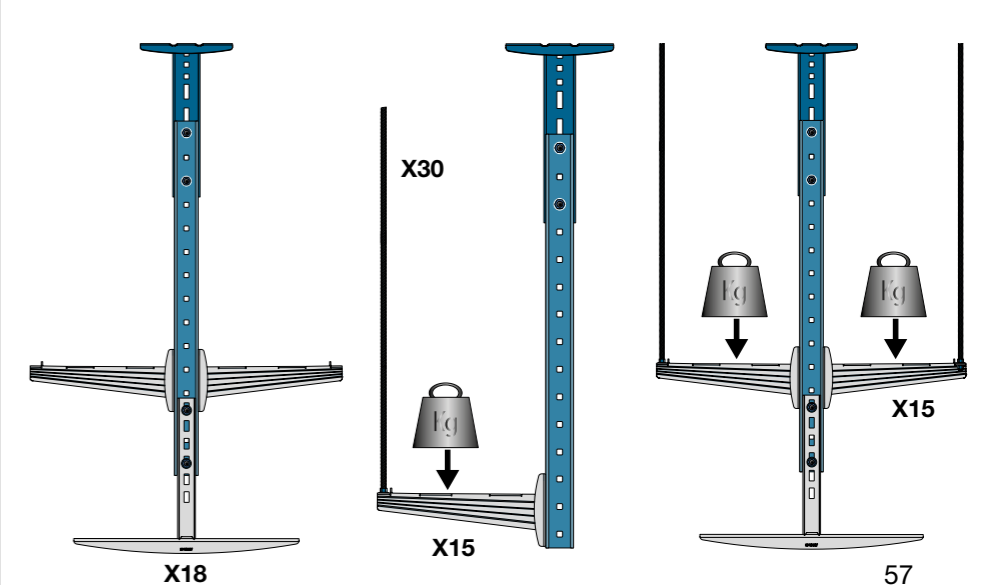
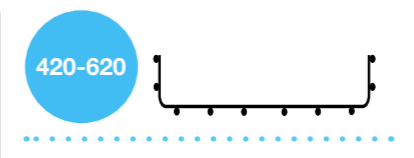
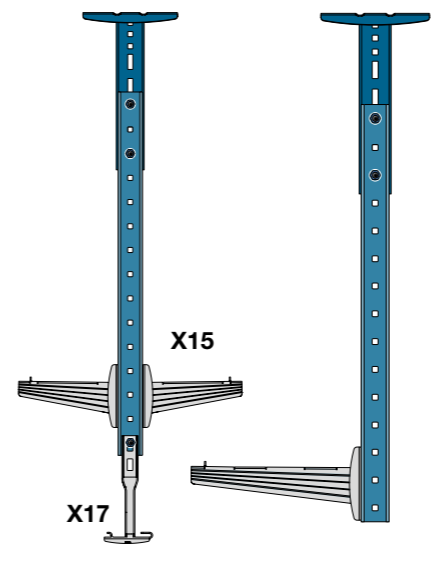
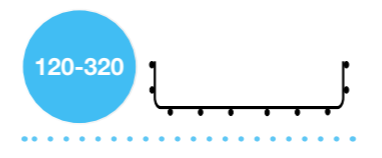
X11/240-480 MOUNTING



X11/240-480 MOUNTING



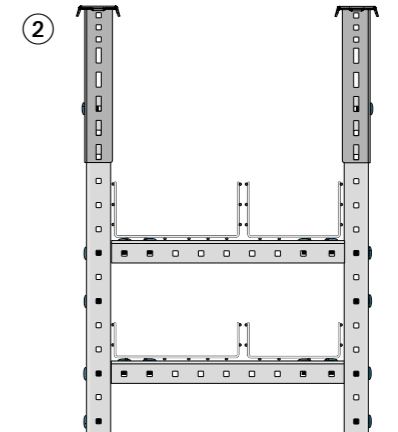
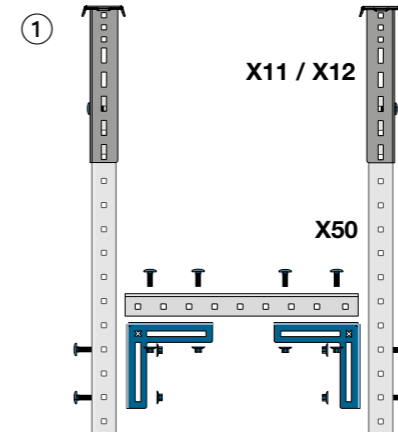
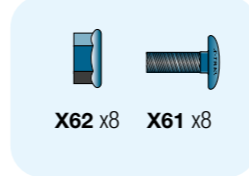
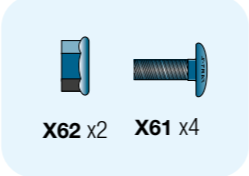
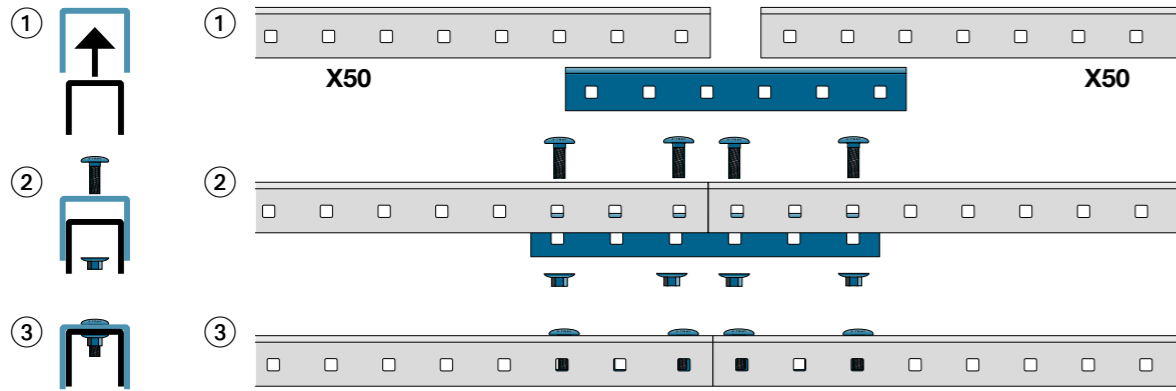
X50 MOUNTING



Installation



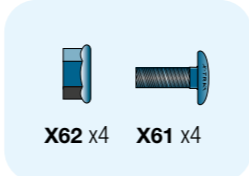
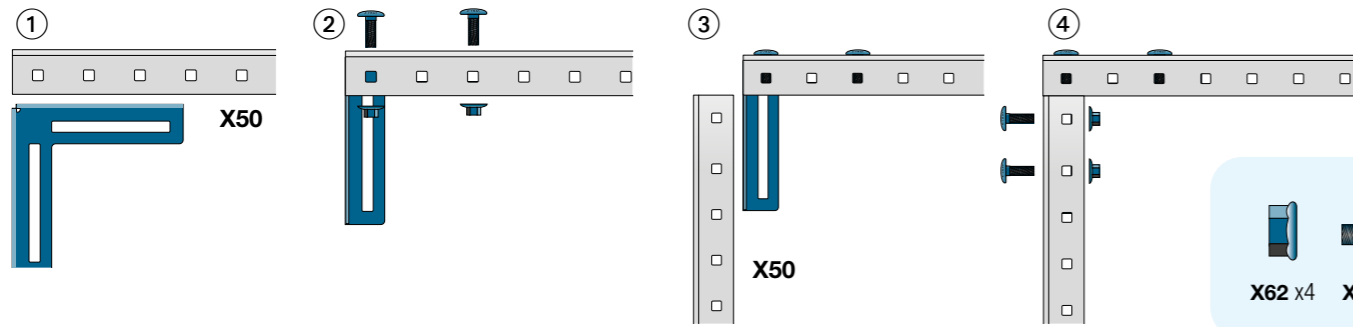
X51 MOUNTING



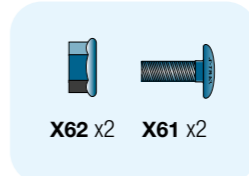
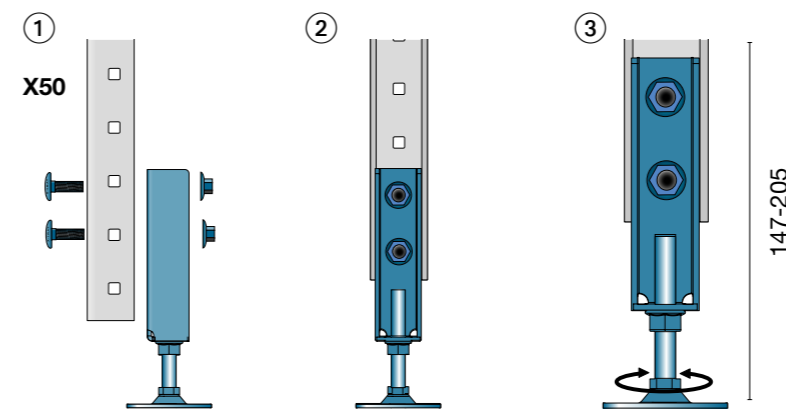
X52 MOUNTING



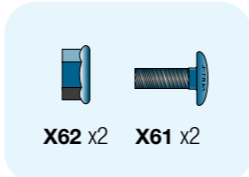
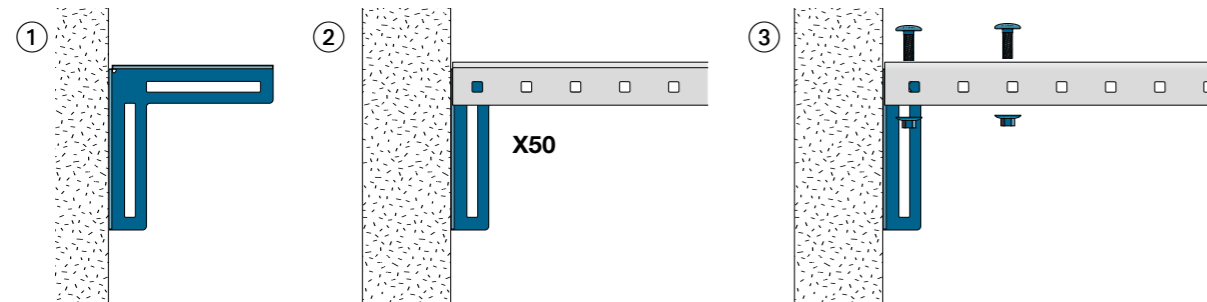
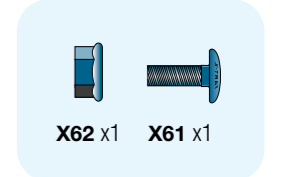
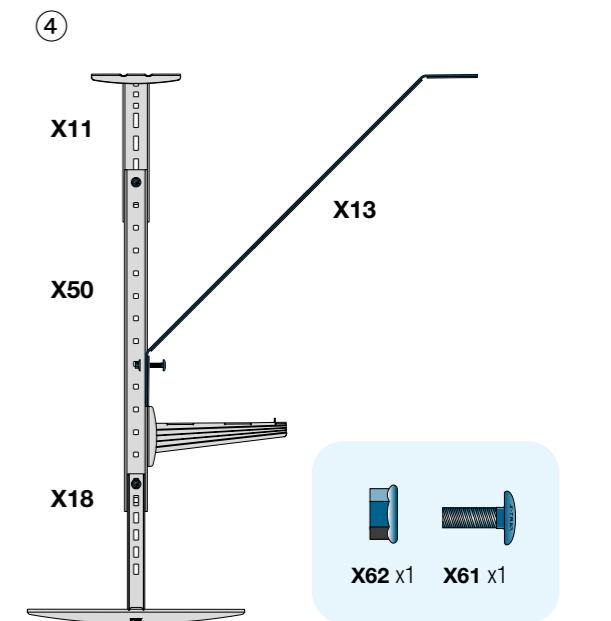
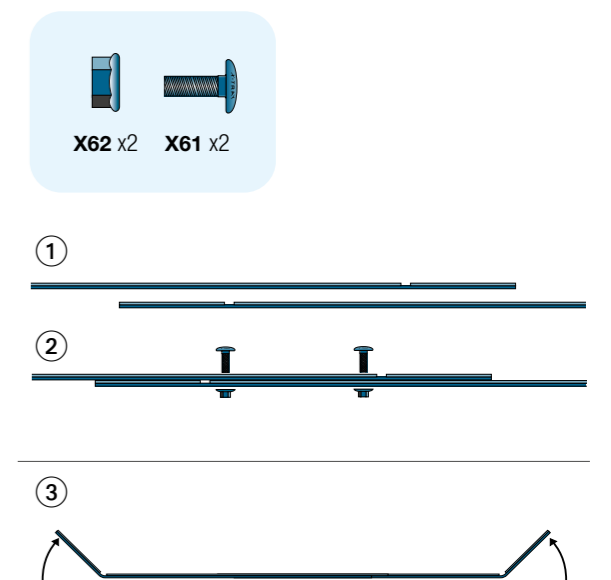
X52 MOUNTING



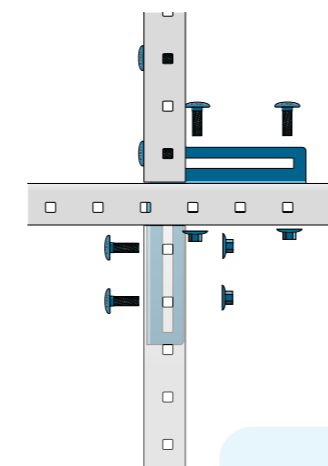
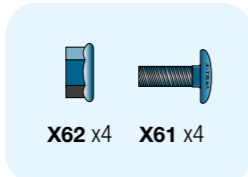
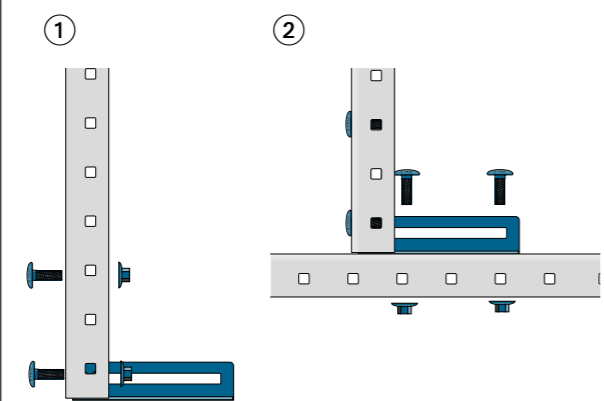
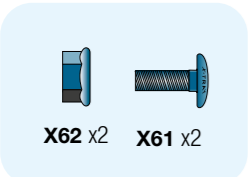
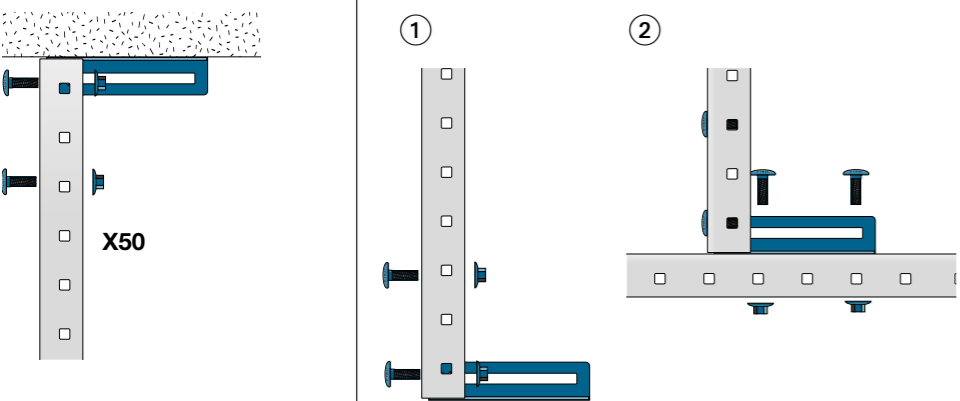
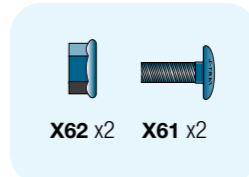
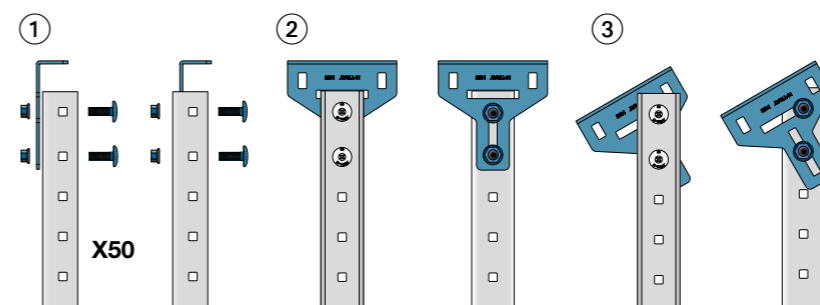
X53 MOUNTING



X13 MOUNTING

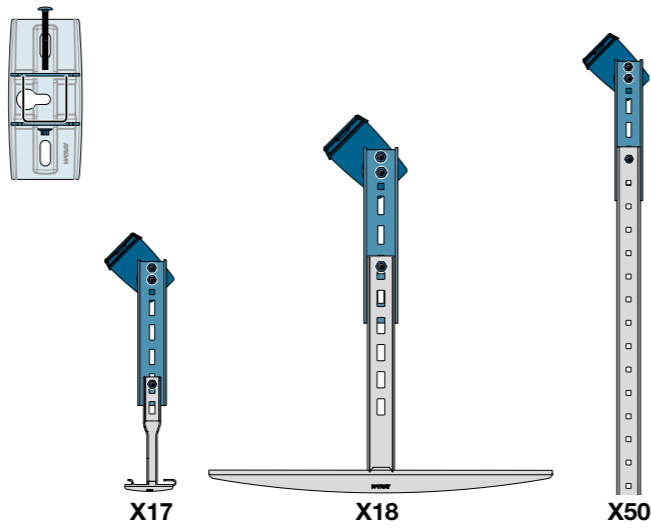
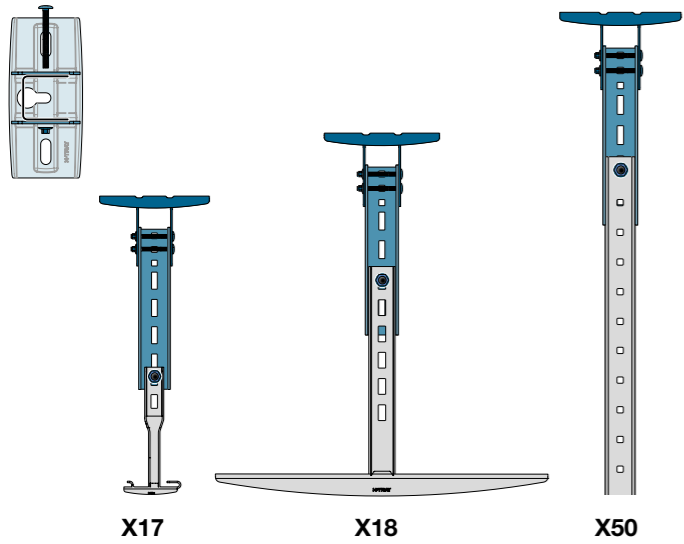
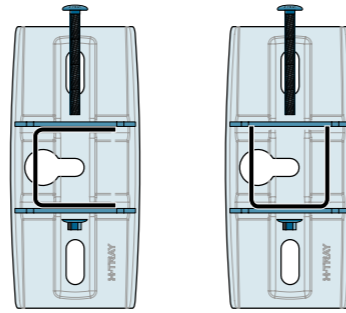
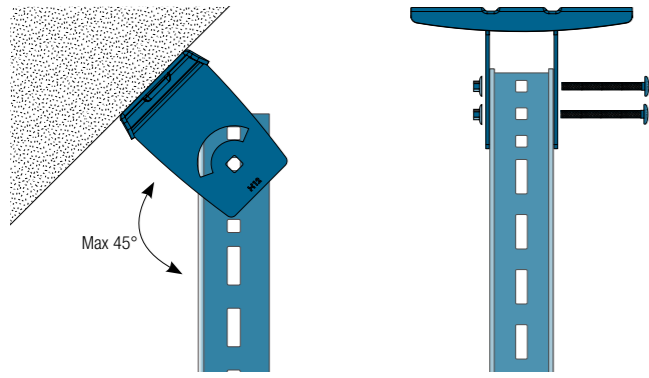


X55 MOUNTING

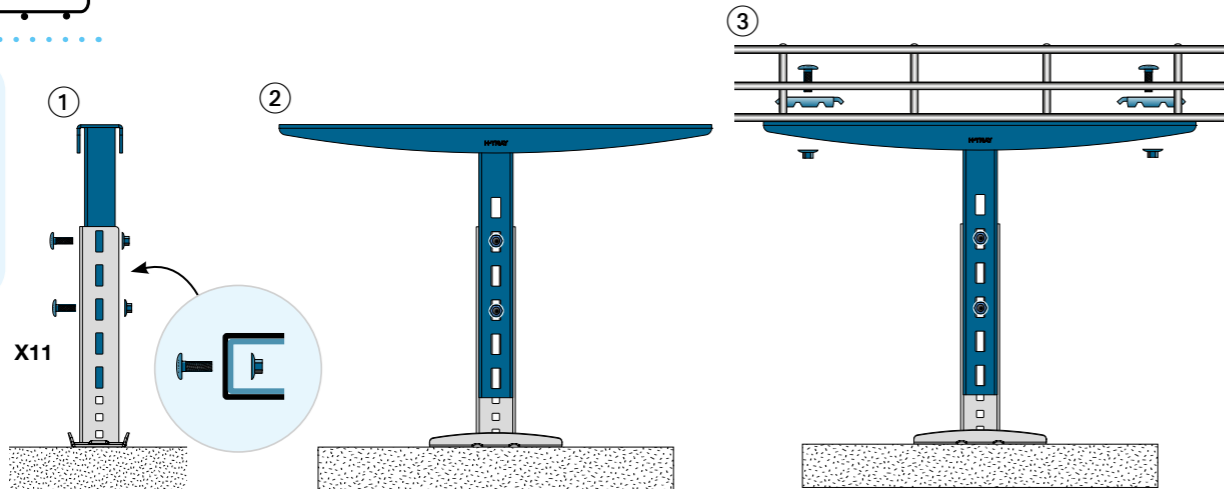
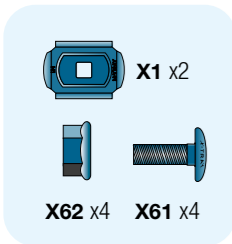
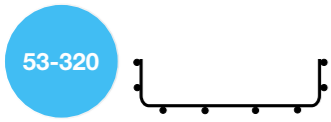




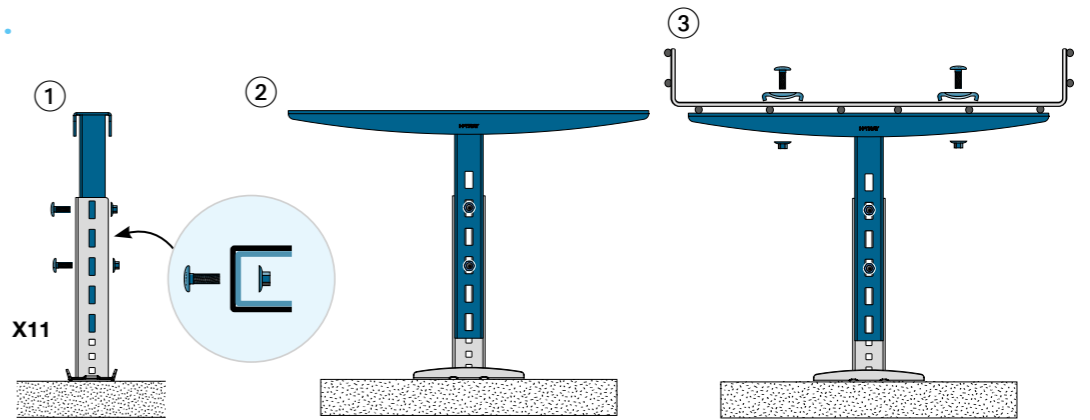
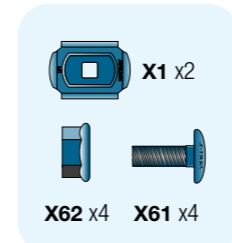
X12 MOUNTING



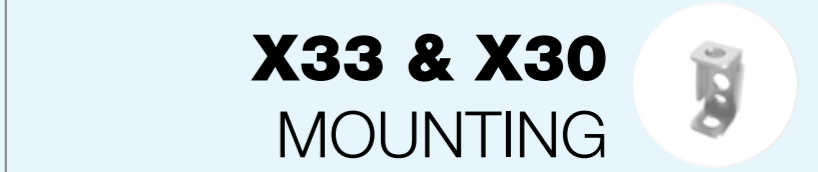
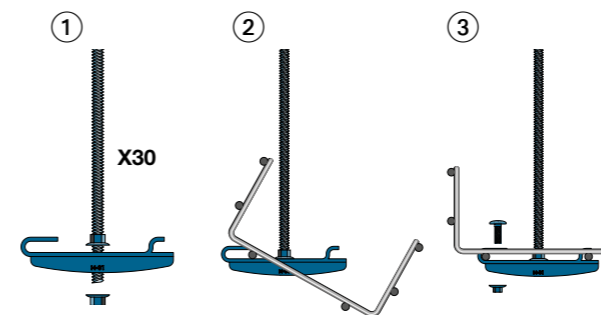
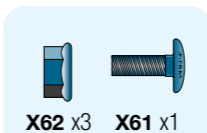
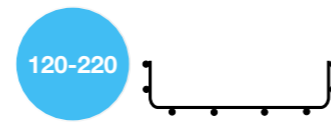
X16 MOUNTING



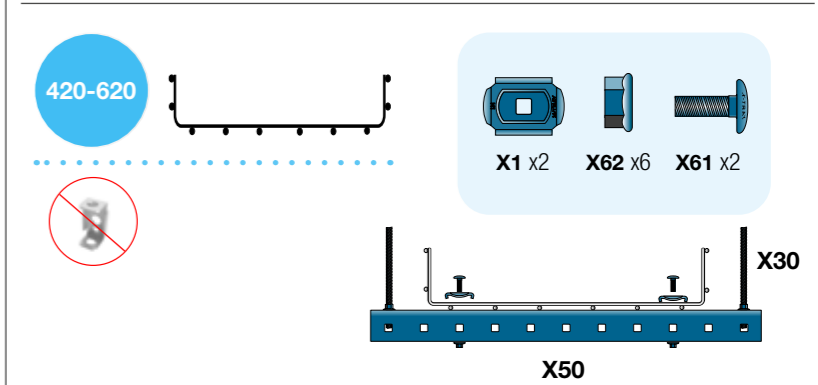
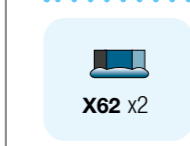
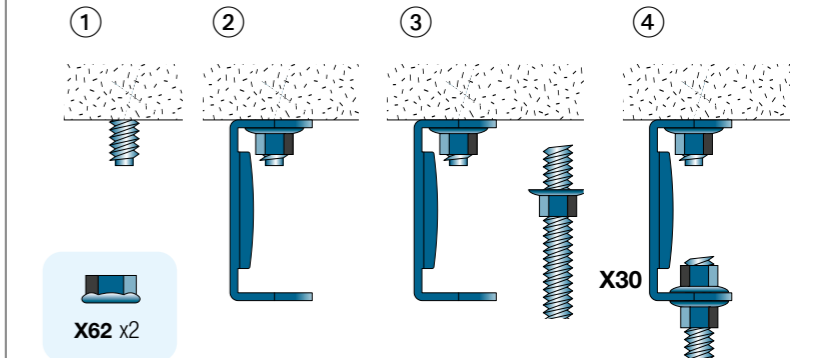
X16 MOUNTING



X31 MOUNTING

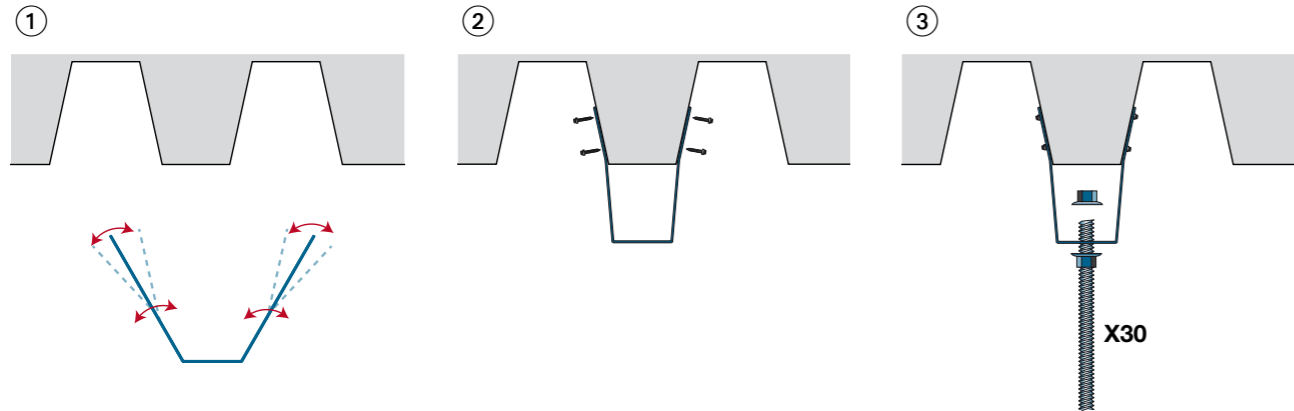


X33 & X30 MOUNTING

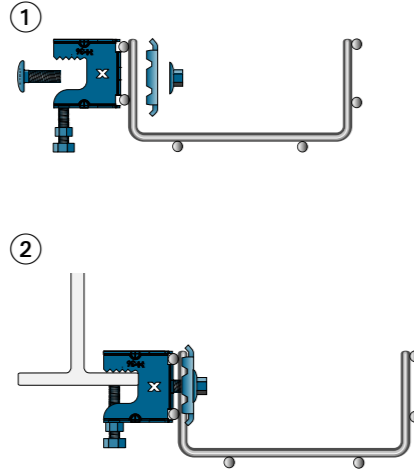
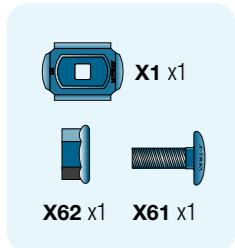
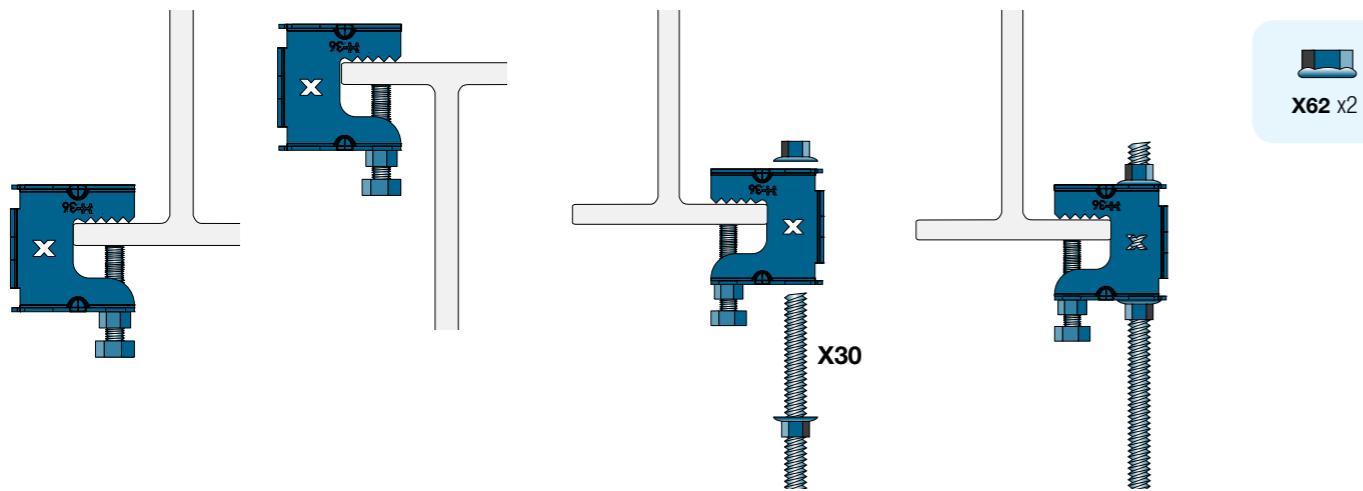




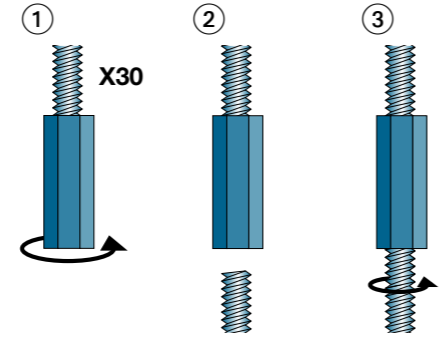
X34 MOUNTING



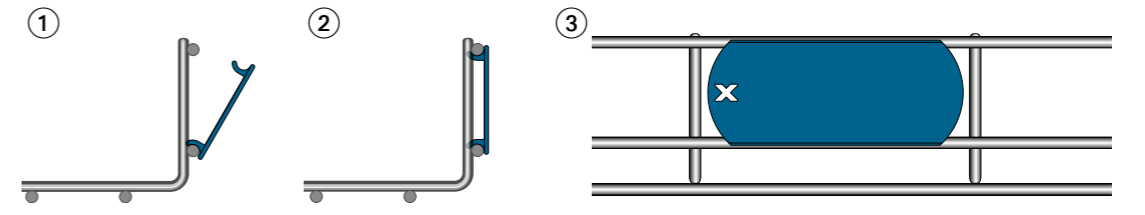
X30 & X36 MOUNTING



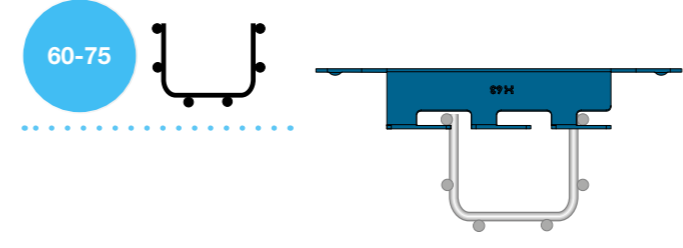
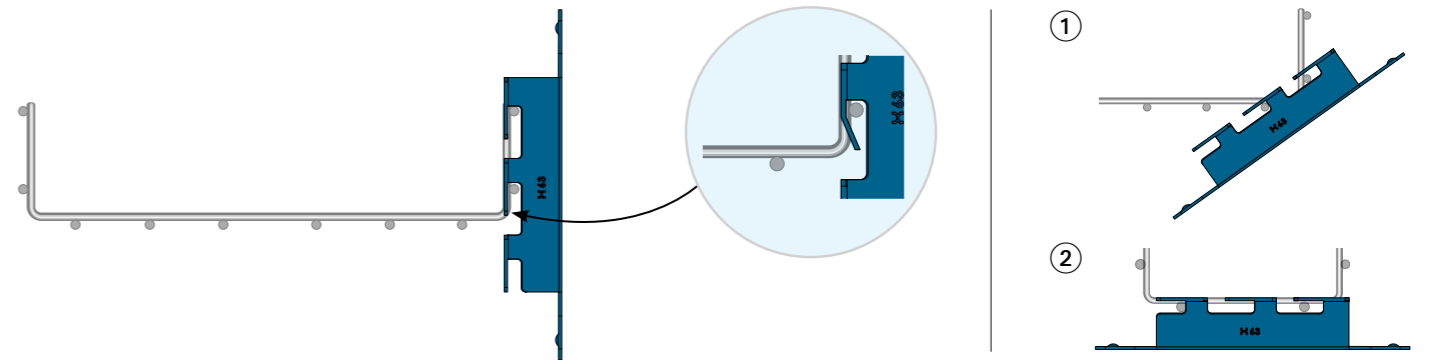
X30 & X35 MOUNTING



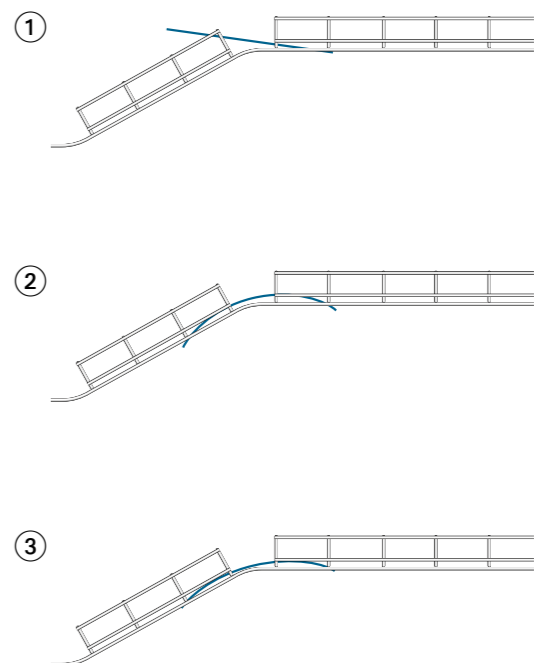
X70 & X72 MOUNTING



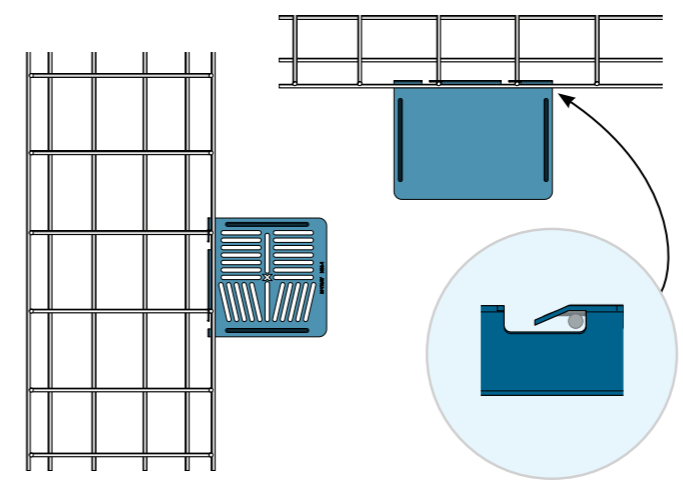
X63 MOUNTING



X81 MOUNTING

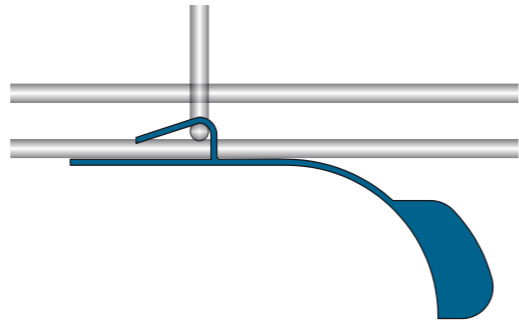
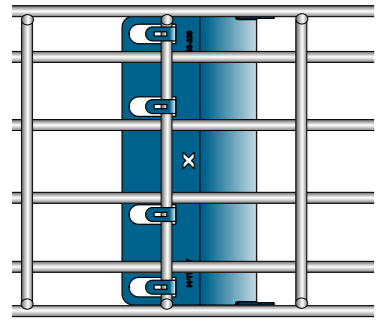


X80 MOUNTING

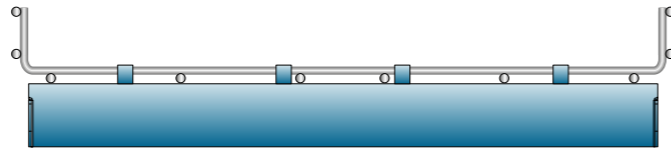
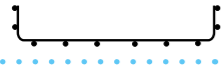




X60 MOUNTING

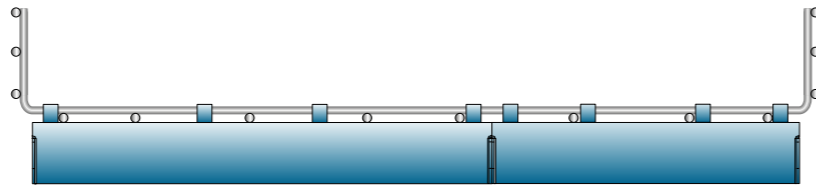
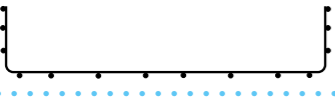


120-420



X60 120-420

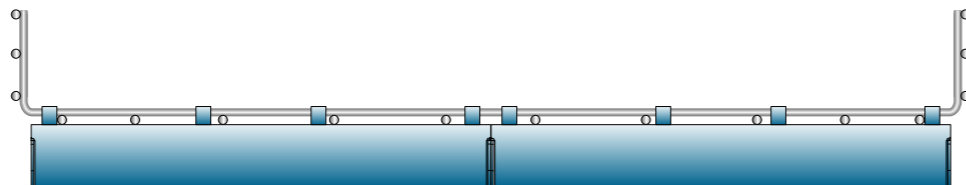
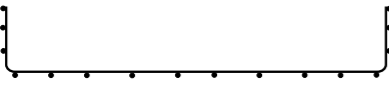
520



X60 320

X60 220

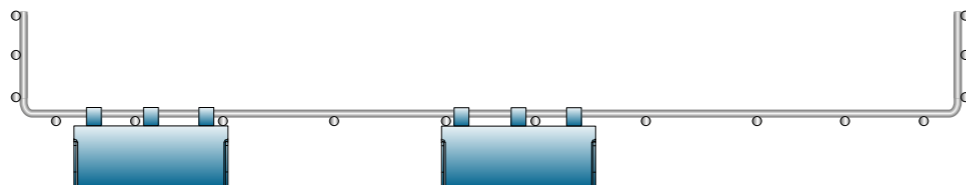
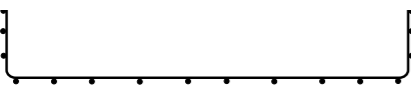
620



X60 320

X60 320

120-620



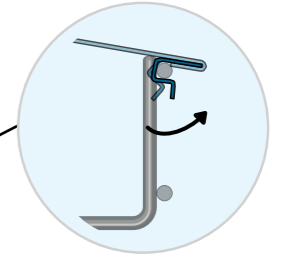
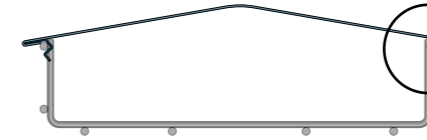
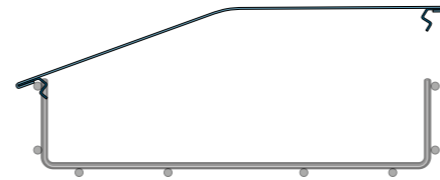
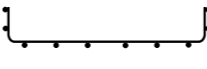
X60 120

X60 120



X65 MOUNTING

53-620

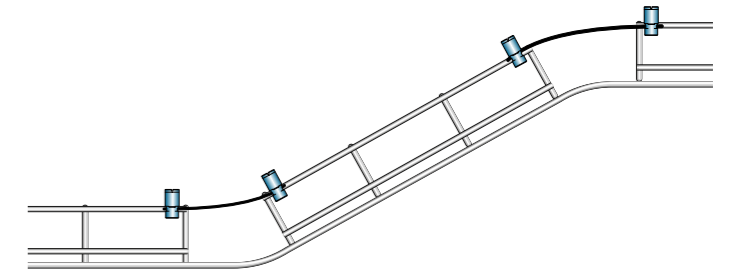
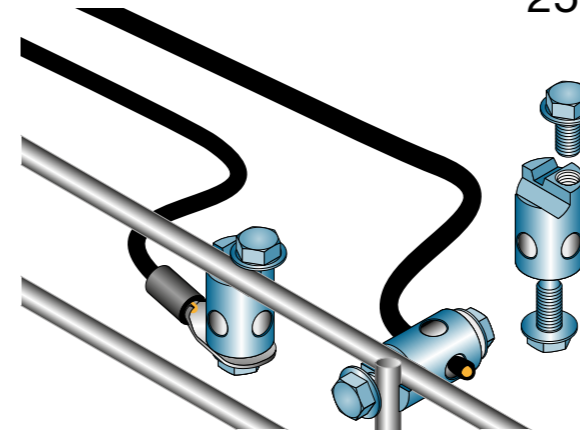


X68 MOUNTING



2568

2568-1



For more information on equipotential bonding, see page 67 or visit axelent.com

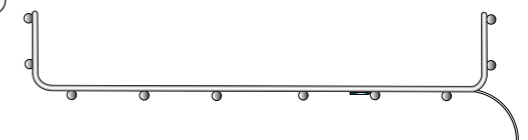
X69 MOUNTING



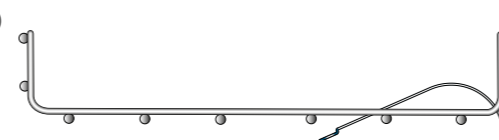
1



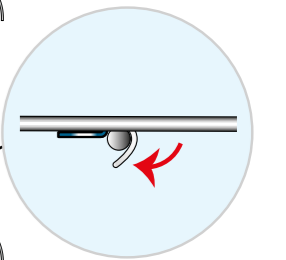
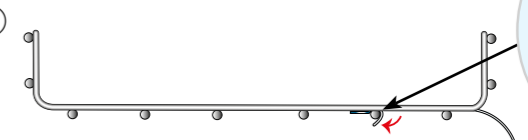
3



2



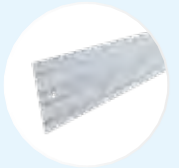
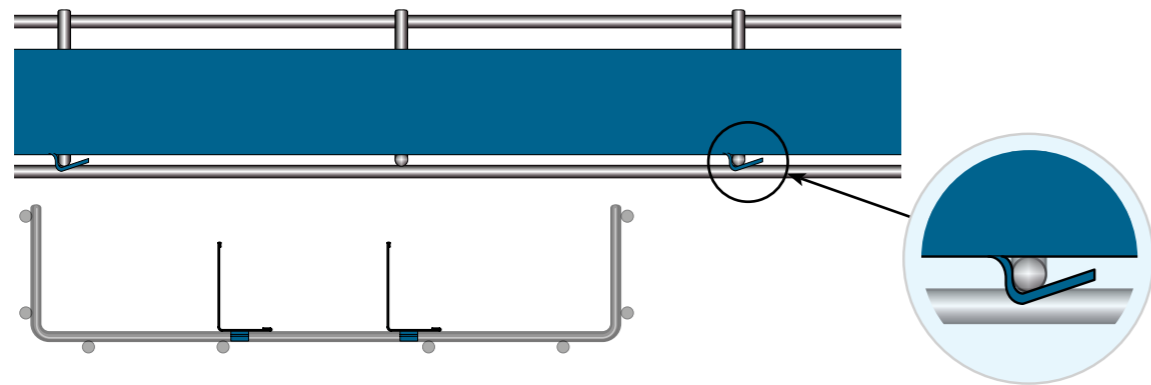
4



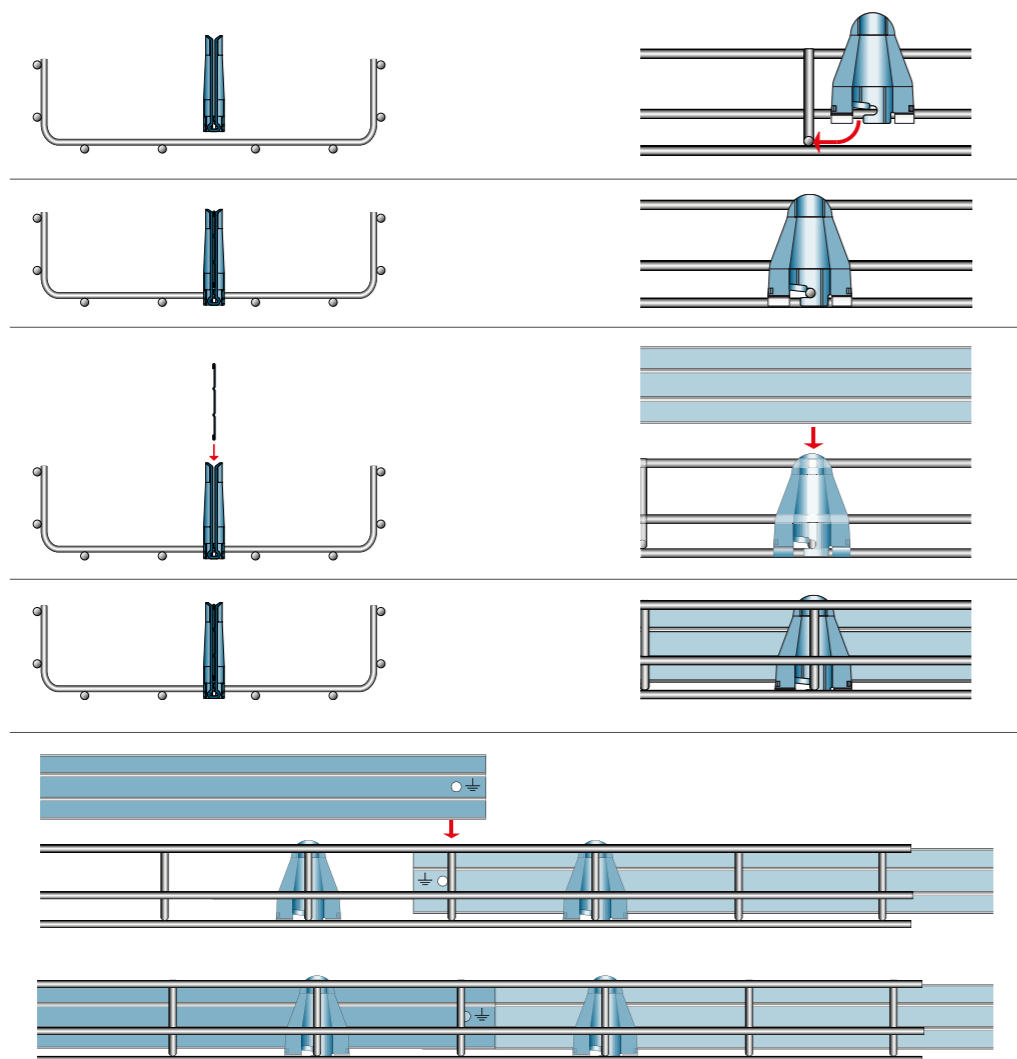
Installation



X64 MOUNTING



X69 & X67 MOUNTING



X-Tray Equipotential Bonding

- ✓ X-Tray is tested in compliance with IEC61537 and fulfills the low impedance requirements in trays and joints. Impedance must not exceed 50 mΩ/ on joints and 5 mΩ/m on trays. As Axelent's X-Tray Cable Tray range is specially Materialled for this purpose, its accessories must always be used. The functionality of other brands cannot be guaranteed. To fulfill the conductivity demands in the following installation, a copper cable must be used that is correctly dimensioned and installed according to the instructions.

- ✓ An end cap on the cable is recommended if there is a risk of corrosion.
- ✓ Cable trays do not normally need functional or protective bonding as they are not external conducting components because they are part of the electrical installation. In addition, they are not normally accessible and are not pulled into the building but are installed inside the building.

Functional equipotential bonding

- ✓ Functional bonding is used when there is a risk of interference due to equipotential differences to cable trays, and to secure the correct function of electrical equipment. (EMC) Earthing shielding is permitted, that is to say, the cable trays may be used as functional bonding conductors.
- ✓ A functional bonding conductor must not be marked with the colour combinations green and yellow.
- ✓ X-Tray wire trays are approved for functional bonding without the need of a parallel separate cable, on condition that installation is carried out in accordance with the instructions in this manual. If the joinings are broken, so is the equipotential bonding.

Protective equipotential bonding

- ✓ Protective bonding is done for safety's sake to protect against electric shocks from touch voltage.
- ✓ The protective bonding of cable trays is seldom required. In principle, only if the cable is buried in the ground and enters the building from the outside. When used, the conductor must be marked in the colour combination of green and yellow.
- ✓ X-Tray cable trays must never be used as protective bonding conductors, earth conductors or any other type of protective conductor.

Name	Finish	Item No.	E-number	Max cable area	Installing copper cable
X68 Equipotential Bonding Screw	Brass, nickel-plated	2568	1133370	25 mm ²	
X68 Equipotential Earth Screw	Brass, nickel-plated	2568-1	1133371	25 mm ²	
X70 Marking Clip Equip. Bonding	Plastic, white, Swe	2570-02	1133373		
X70 Marking Clip Equip. Bonding	Plastic, white, Eng	2570-03	1133374		
X70 Marking Clip Equip. Bonding	Plastic, white, German	2570-04	1133375		

The following installations are only approved in combination with copper cable.

Electro-galvanized and hot-dip galvanized	Stainless/Acid-proof	Always copper cable: X-Tray 53, 60, 75, 100, 120, 150, (220x30)
X-Tray 53, 60, 75	X-Tray 150, 220	X-Tray 150, 220, 320

Axelent X-Tray

Axelent develops, manufactures and markets a cable routing system based on wire trays with fittings, brackets and accessories under the X-Tray brand.

In cooperation with our distributors and end users, we work to create the most qualified, costeffective and functional solutions possible.

We offer a wide basic range of products that satisfy the requirements of most industries, but we also offer applications for unique requirements. We can offer a complete solution that encompasses everything from drawings to the complete product that is delivered on site. All of our standard products are in stock, which allows for quick delivery.



AXELEN'T AB · BOX 1 · KÄVSJÖVÄGEN 17 · 335 04 HILLERSTORP, SWEDEN
0370-37 37 37 · TEAMXTRAY@AXELEN'T.SE · WWW.AXELEN'T.SE

