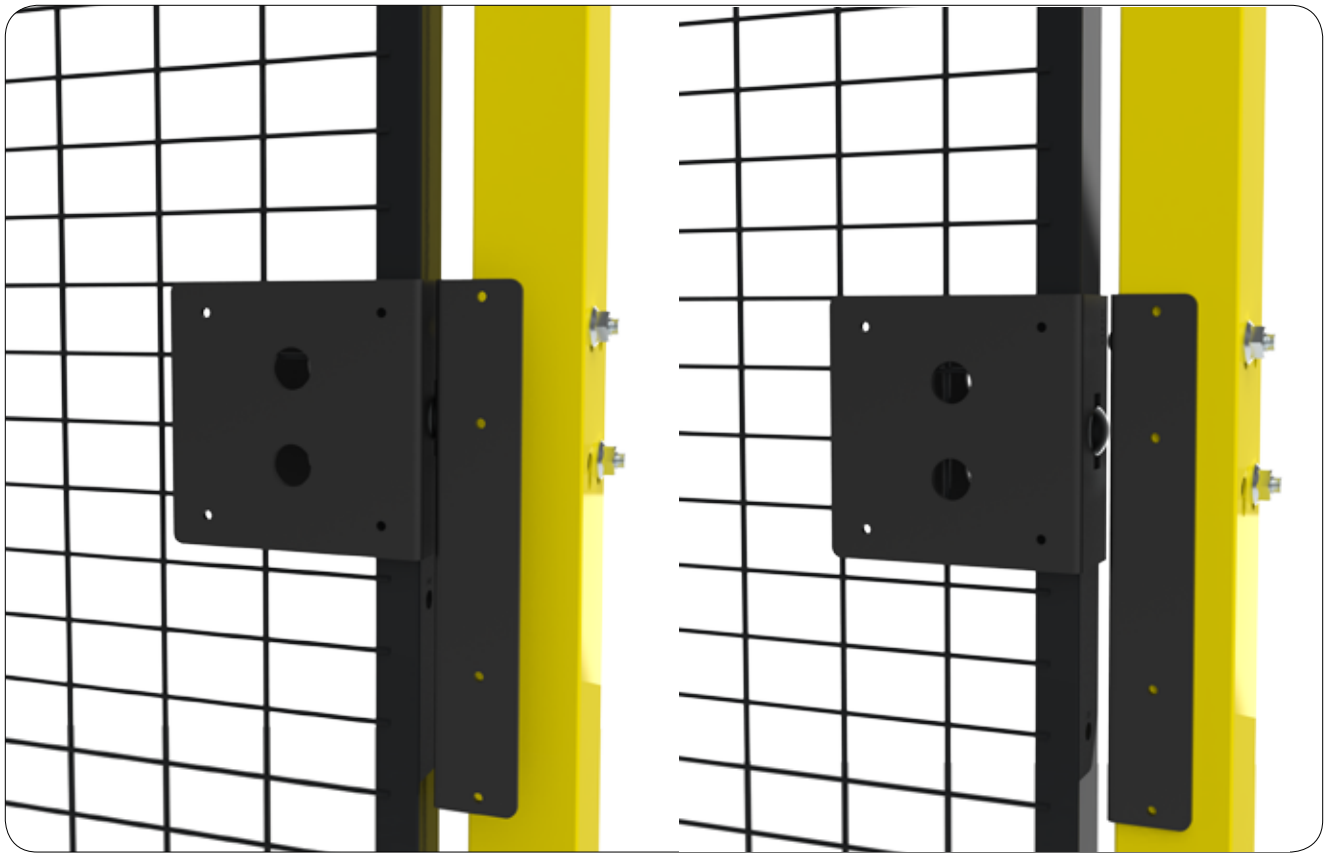


Axelent Product information

» X-Guard® Accessories



X-Guard® Fitting for Schmersal AZM200 hinge-door/ slidingdoor, right/left

X-Guard is a complete range of machine guards designed to comply with the Machinery Directives 2006/42/EC which placed new demands on permanent guards from 29 December 2009. With its wide range of standard components and accessories, X-Guard is guaranteed to cover all possible machine guard applications. X-Guard was launched in 2008, since then new panel sizes have been added. We listen to our customers to enable us to develop the range as new needs arise.

Fitting used for Schmersals switch AZM200 and can be purchased through us at Axelent along with your other material on your order. The switch is not in stock and have a few weeks of delivery time.

Fitting for schmersal AZM200

- More info www.axelent.com

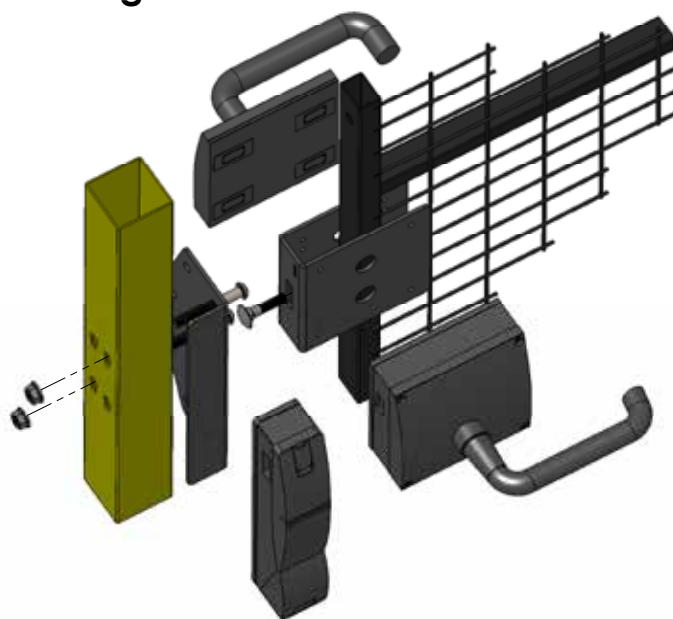
Axelent Product information

» X-Guard® Accessories

Technical data

Art.no	Description
T10-32	Fitting for Schmersal AZM200 hingedor/slidingdoor, right/left

Hingedoor



Slidingdoor

