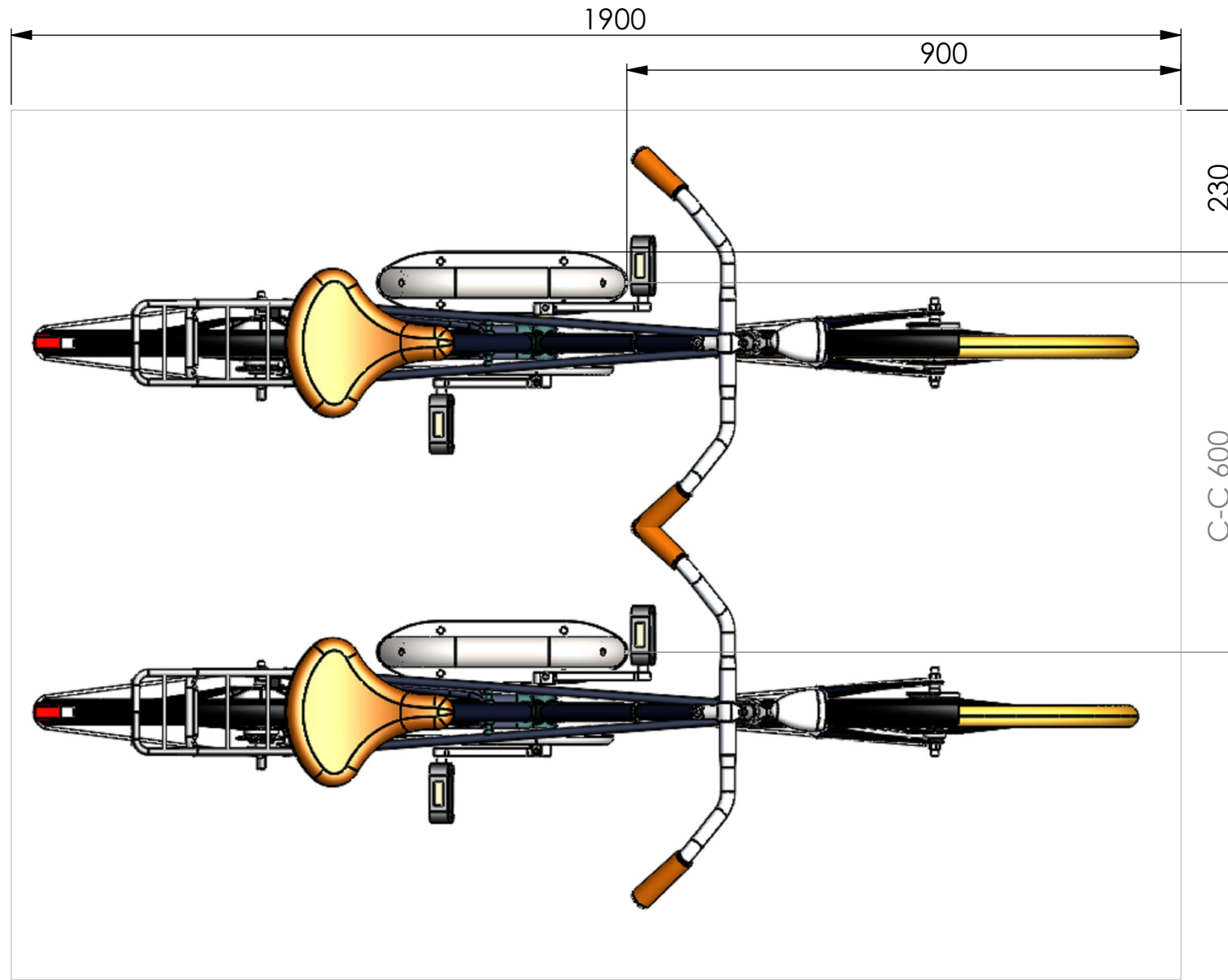


171197 Nimbus Avstånd till vägg



UNLESS OTHERWISE SPECIFIED: DIMENSIONS ARE IN MILLIMETERS				FINISH:		DEBURR AND BREAK SHARP EDGES		DO NOT SCALE DRAWING		REVISION	
SURFACE FINISH:											
TOLERANCES:											
LINEAR:											
ANGULAR:											
	NAME	SIGNATURE	DATE					TITLE:			
DRAWN											
CHK'D											
APPVD											
MFG											
Q.A						MATERIAL:		DWG NO.		A3	
								171198 Nimbus Large 2			
						WEIGHT:		SCALE:1:5		SHEET 3 OF 3	